

CONFORMATION SHOW RULES & REGULATIONS

Effective January 1, 2018



CANADIAN KENNEL CLUB

CLUB CANIN CANADIEN

TABLE OF CONTENTS

1 INTERPRETATIONS

- 1.1 Definitions 1
- 1.2 Conformation Shows Defined
& Classified 3

2 GENERAL RULES & REGULATIONS

- 2.1 Eligibility of Clubs to Hold a
Conformation Show 4
- 2.2 Adverse Weather Conditions..... 5
- 2.3 Making Application 5
- 2.4 Penalties 5
- 2.5 Failure to Hold a Show 6
- 2.6 Advertising Events 6
- 2.7 Conflicting Dates..... 6
- 2.8 Veterinarian 6
- 2.9 Benching 6

3 SELECTION OF JUDGES

- 3.1 Contract Between a Judge and a Club 7
- 3.2 Making Application 7
- 3.3 Substitute Judge 8
- 3.4 Rate of Judging..... 9
- 3.5 Judging Overloads 10

4 JUDGES

- 4.1 General 10
- 4.2 Conflicts..... 12
- 4.3 Judges Entering or Handling Dogs 12
- 4.4 Judging the Dogs..... 13
- 4.5 Tables & Ramps 15
- 4.6 Weighing & Measuring of Dogs..... 15
- 4.7 Indignities to a Judge 15
- 4.8 Judge's Conduct 16

5 SHOW OFFICIALS & RING STEWARDS

- 5.1 Show Officials 16
- 5.2 Ring Stewards 17
- 5.3 Persons with Disabilities 17

6	PREMIUM LIST, CATALOGUE & JUDGING SCHEDULE	
6.1	Premium List	18
6.2	Catalogue	19
6.3	Judging Schedule.....	20
7	RIBBONS & PRIZES	
7.1	General	21
7.2	Printing.....	21
7.3	Size & Colour.....	21
7.4	Prizes	23
8	ENTRIES & END OF SHOW	
8.1	General	23
8.2	Entry Forms.....	24
8.3	Entries	24
8.4	Listed Dogs.....	25
8.5	Acceptance of Entries	25
8.6	Refusal of Entries	26
8.7	Withdrawal of Entries	27
8.8	Fees	27
8.9	Moving a Dog to Specials	27
8.10	Ownership.....	28
8.11	In Transit Area.....	28
8.12	End of Show.....	29
9	EXHIBITORS & THEIR DOGS	29
10	RINGS, FACILITIES & EQUIPMENT	31
11	UNSPORTSMANLIKE CONDUCT	32
12	BREEDS, CLASSES, AWARDS & SWEEPSTAKES	
12.1	Breeds.....	33
12.2	Classes	33
12.3	Awards	35
12.4	Failure to Compete.....	38
12.5	Order of Judging.....	39
12.6	Non-Regular Classes.....	39
12.7	Parades	42
12.8	Stakes/Sweepstakes	42
12.9	Unofficial Classes	43

13	ALTERED DOG CLASS	
13.1	General	43
13.2	Date Approval	43
13.3	Judging of Altered Classes.....	43
13.4	Eligibility for Altered Classes.....	44
13.5	Disqualification	44
13.6	Classes & Awards	44
13.7	Specialty Shows	45
13.8	Champions & Championship Points.....	45
14	DISQUALIFYING OR EXCUSING DOGS	
14.1	Disqualifications	46
14.2	Excusing	47
14.3	Reinstatement.....	48
15	CHAMPIONSHIP POINTS & CANCELLATIONS	
15.1	Championship Points.....	48
15.2	Grand Champion	51
15.3	Grand Champion Excellent.....	52
15.4	Cancellations.....	53
16	SANCTION MATCH	
16.1	General	54
16.2	The Match	54
16.3	Dates	55
16.4	Judges	55
16.5	Entries	56
16.6	Classes & Awards	56
16.7	Ribbons.....	57
17	PROTESTS AGAINST A DOG.....	58
18	COMPLAINTS	59
19	DISCIPLINE.....	61
20	PROCEDURE FOR CONDUCTING A CONFORMATION SHOW COMMITTEE HEARING	62
21	PARTICIPATION	64
22	LIABILITY.....	65
23	AMENDMENTS	65

APPENDICES

A	RECOGNIZED BREEDS & LISTED BREEDS.....	66
B	PREMIUM LISTS.....	69
C	SHOW CATALOGUE	71
D	END OF SHOW	72
E	JUDGES' SHEET SANCTION MATCH.....	73
F	JUDGING RAMP SPECIFICATIONS.....	75
G	LIST OF BREEDS THAT MUST BE JUDGED ON THE TABLE	76
H	LIST OF BREEDS THAT MUST BE JUDGED ON A RAMP.....	78
I	LIST OF BREEDS THAT MAY BE JUDGED ON A RAMP.....	78
J	ROLE, DUTY & POWERS OF THE SHOW SUPERINTENDENT	79

ORDER OF JUDGING

(65-09-16)

Understanding the Show

Judging at a conformation show is a process of elimination that follows a set format. Each dog is evaluated in accordance with the standard set for its breed. Males are judged before females; however, the same format is used for each sex. In each class, the judge evaluates each dog and placings of first, second, third and fourth are awarded depending on the number of entries in the class. Starting with the Junior Puppy class, the judge proceeds through the Senior Puppy, 12-18 Month, Canadian Bred, Bred by Exhibitor and Open classes. Once the classes have been judged, those dogs that placed first in each class re-enter the ring to compete for the Winners award. The dog selected Winners will be awarded the points available according to the entry. After Winners has been awarded, the dog that placed second to the Winners is brought back into the ring to compete against the other class winners for Reserve Winners. The Reserve Winners will be awarded the points if for any reason the win by the Winners is disallowed by the CKC. Once the male classes are complete, the female classes are judged.

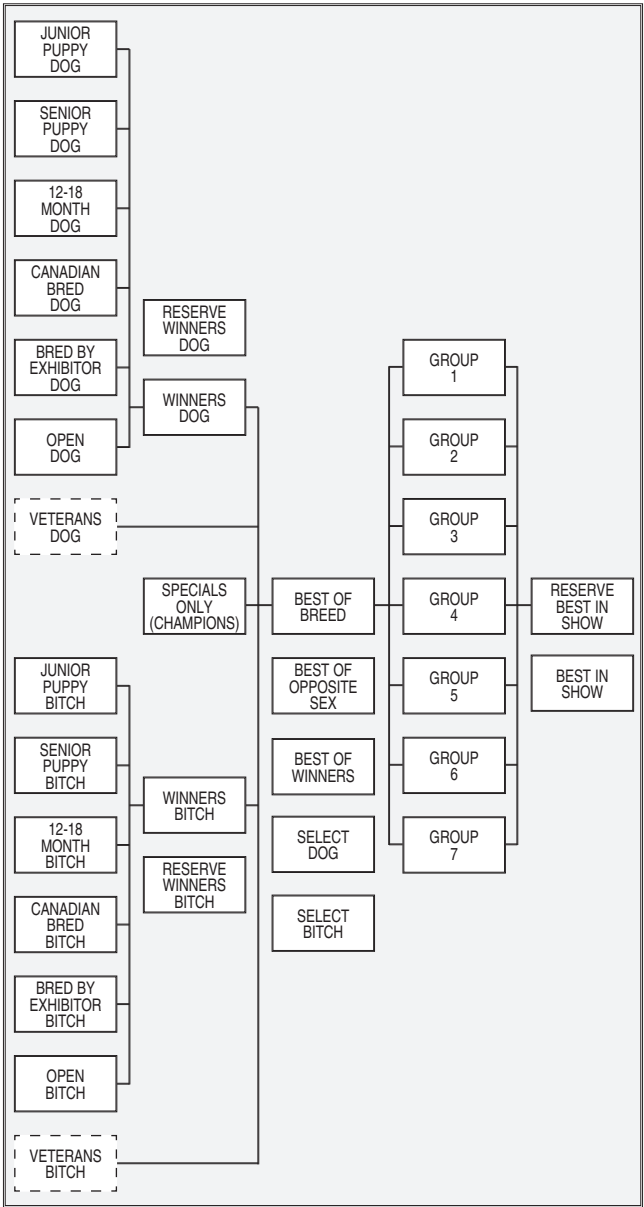
Only at specialties, the 12-18 Month class may be split into 12-15 Month and 15-18 Month classes. These two classes are judged after Senior Puppy and before Canadian Bred. The winners of these classes will compete for Winners. Also only at specialties, a Veterans class will be offered, and this class may be divided into up to three age groups in each sex. The Veterans classes are judged following Reserve Winners in each sex and the winners of these classes advance to Best of Breed judging. The winners of the Veterans classes are not awarded any points for that win.

For Best of Breed judging, Specials are brought into the ring first, males followed by females. Specials are Champions of record. The Specials are followed by the Veteran Dog winner(s), the Veteran Bitch winner(s) (specialty shows only), Winners Dog and Winners Bitch. Best of Breed and Best of Opposite Sex to Best of Breed are selected from this lineup. Best of Winners is selected between Winners Dog and Winners Bitch. If either Winners Dog or Winners Bitch is awarded Best of Breed, that dog is automatically awarded Best of Winners. The judge may then choose a Select Dog and Select Bitch from the dogs remaining in the ring, excluding Winners Dog and Winners Bitch. Following awarding Select Dog and Select Bitch, the judge selects Best Puppy in Breed from any puppies that have not been defeated directly or indirectly.

On the completion of the judging of all breeds in a group, the Best of Breed winners compete for Best in Group. The judge awards first, second, third and fourth in group. Following Best in Group, Best Puppy in Group is judged. If a puppy wins the group, it is automatically Best Puppy in Group. When a puppy places second, third, or fourth in group, only the puppies from the breeds that placed higher in group will compete against this puppy. When no puppies place in group, all the Best Puppy in Breed winners will be judged for Best Puppy in Group.

On the completion of all group judging, Best in Show judging can begin. The group winners are brought into the ring. The judge will first select a Reserve Best in Show. The judge will then select Best in Show from the six dogs remaining in the ring. Following Best in Show, Best Puppy in Show is judged. If a puppy wins Best in Show, it is automatically Best Puppy in Show. If a puppy wins Reserve Best in Show, it then competes for Best Puppy in Show only with the Best Puppy in Group winner of the group from which the Best in Show winner was chosen. If a puppy does not win Best in Show or Reserve Best in Show, all Best Puppies in Group are brought into the ring and judged for Best Puppy in Show.

NOTE: Chapter 12 of these rules provides a detailed definition of each class. Section 12.6 provides definitions and requirements for optional, non-regular classes that may be offered at all-breed and/or specialty shows. Chapter 13 provides definitions and requirements for Altered Dogs being shown. (65-09-16)



NOTE

→ Classes shown in partial boxes are available at Specialty Shows only.

1 INTERPRETATIONS

1.1 Definitions

For the purpose of these rules and regulations, the following interpretations shall apply:

(11-09-17) **“agent”** refers to a person who is authorized to act for or in place of another

“Board” means the Board of Directors of The Canadian Kennel Club

“breed” includes a breed that is accepted by a CKC-recognized foreign stud book or by an association incorporated under the Animal Pedigree Act other than the CKC

“breeder” means the person owning or leasing the dam at the time of breeding

“CKC” means The Canadian Kennel Club

“Club” means The Canadian Kennel Club

“club” means a club or association officially recognized by The Canadian Kennel Club

“complainant” means any person who has laid a charge or complaint against another person, partnership, company or organization relative to the contravention of these rules, regulations, procedures and policies of The Canadian Kennel Club

“debar” means to prohibit a person from participating in any competition or other activities directed, sanctioned, sponsored or authorized by The Canadian Kennel Club if held under its auspices or under any of its rules and regulations

“defendant” means any person, partnership, company or organization against whom a charge or complaint has been laid, relative to the contravention of these rules, regulations, procedures and policies of The Canadian Kennel Club

“deprive of privileges” means that a non-member is deprived of all privileges accorded to non-members of The Canadian Kennel Club, including the use of the Head Office

“dog” means a purebred dog of either sex

“exhibitor” means the owner or handler who enters a dog at a show

“expel” means termination of membership in The Canadian Kennel Club and depriving the person so expelled from all privileges of The Canadian Kennel Club

“good standing” means an individual who is not under suspension, deprivation, debarment or who has not forfeited his right to participate in any Canadian Kennel Club-approved event

“handler” means the person who handles a dog in the conformation show ring

“Head Office” means the office at which the business of The Canadian Kennel Club is carried out on a regular ongoing basis

“immediate family” as used in these rules means spouse, father, mother, son, daughter, brother, sister, grandparents and significant other

“just cause” means how a reasonable person without personal bias or prejudice would act

“listed breed” means a breed that is included in the Miscellaneous List and that is authorized to participate in CKC events in accordance with the rules and regulations governing those events

“owner” means the owner or owners as stated on the registration certificate of the dog

“recognized breed” means a breed that The Canadian Kennel Club is authorized to register in accordance with the Animal Pedigree Act

“show” or **“shows”** when used in these rules means any of the shows defined in these rules

“suspend” means to deprive a member, for the period ordered, of all the privileges of The Canadian Kennel Club

This rule book shall be read with all applicable changes in gender so that the masculine shall include the feminine and vice versa and the singular shall include the plural if applicable.

1.2 Conformation Shows Defined & Classified

- 1.2.1 “All-breed conformation show” is a show at which all CKC-recognized and listed breeds are eligible to compete.
- 1.2.2 “Limited-breed show” is a show for more than one but not all recognized or listed breeds. Judging shall not proceed beyond the breed level except where a complete group is offered. Where a complete group is offered, judging may proceed to the group level. Best in Show or Best Puppy in Show awards may not be made.
- 1.2.3 “Specialty conformation show” is a show given by a club formed for the improvement of any one or more (but not all) recognized or listed breeds. A specialty show shall be confined to the breeds for which the club holding such a show was recognized to promote. Types of specialty shows are: breed specialty; multiple-breed specialty; group specialty and multiple-group specialty.
- 1.2.4 “Field-trial conformation show” is a show given in conjunction with a field trial. Only those dogs that have actually competed in the field trial may compete in the conformation show.
- 1.2.5 “Limited-entry show” is a show where a club applies to hold a show for all breeds it is accredited to promote, but limits the total entry due to the geographical area or limitation of space. The maximum number of entries and reason, therefore, must be indicated on the front of the premium list.
- 1.2.6 “Multiple shows on same date”
- (72-12-12)* With the approval of the local CKC Board Member, a club may apply to hold multiple shows on the same day. The number of dogs in multiple shows shall be at the individual club’s discretion; however, the upper limit will be a maximum of 200 dogs. A club that accepts more than the maximum number of dogs allowed will forfeit the right to further approvals under this section.
- 1.2.7 “Benched show” (See Section 2.9.)
- 1.2.8 “Sanction match” is an informal event held by a club obtaining the approval of the local CKC Board Member for the zone in which the match will be held. Only recognized and listed breeds may compete; however, championship points are not awarded. Sanction matches shall be governed by the specific rules laid down for same (see Chapter 16)

and where a rule is not specified, the Conformation Rules & Regulations will apply.

2 GENERAL RULES & REGULATIONS

2.1 Eligibility of Clubs to Hold a Conformation Show

- 2.1.1 Only a club that has CKC accreditation as an event-holding club is eligible to apply for and hold conformation shows.
- 2.1.2 Where a specialty show is being held simultaneously with an all-breed show but not in the same venue, the all-breed show will not provide classes or awards for the breed in which the specialty club has been approved. Such exclusion will be limited to a maximum of five (5) breeds.
- 2.1.3 When a specialty show is being held in conjunction with an all-breed show at the same venue, the all-breed club will provide a letter of acknowledgement to the specialty club, which must be submitted along with the event-date application form.
- 2.1.4 A club that has not held a conformation event *(45-06-17)* under CKC rules within three (3) years will be required to hold at least three (3) sanction matches within three (3) years. Each match must be held a minimum of 90 days apart with all aspects of same under observation of the local CKC Board Member or representative before consideration will be given for the club to hold a championship event. Further sanction matches may be required if deemed necessary. If the club is a national breed club, and it has not held a national specialty in that three-year period, it will automatically lose its club recognition at the end of the three-year period.
- 2.1.5 A group specialty may be held with the exclusion of one breed.
- 2.1.6 A group-specialty club holding a group-specialty show may offer a specialty show for any breed recognized within its group mandate, in conjunction with that group-specialty show or with another show held at the same venue (i.e., two- or three-day duration), provided there is no local specialty breed club in that area for that breed.
-

2.1.7 Specialty clubs may hold all-breed sanction matches.

2.2 Adverse Weather Conditions (47-06-17)

2.2.1 During adverse and/or severe weather conditions, (47-06-17) it is at the discretion of the event-giving club to cancel, curtail and/or postpone the judging of the event if the weather is severe enough to cause injury to the exhibitor and their dog. No penalty shall be imposed by The Canadian Kennel Club if such condition has caused the cancellation or postponement of the event.

2.3 Making Application

2.3.1 An application for a show date must be made on the form provided and received at Head Office not less than 180 days prior to the date on which the show is to be held. The judges panel may be submitted with the event-date application form.

2.3.2 The Event Secretary must be a regular member in good standing with the CKC.

2.3.3 Clubs may apply for a maximum of three (3) consecutive priority dates for a term as approved by the Board. The fee to maintain these dates will be as set by the Board.

2.3.4 Applications must state the dates and the town or city and province in which the show will be held. The application must indicate whether the show is to be benched or unbenched.

2.3.5 Permission may be granted to hold simultaneous all-breed and/or specialty shows less than 250 road miles (402 km) apart, at the discretion of the CKC and after consultation with the local CKC Board Member.

2.4 Penalties

2.4.1 When an application for a show date is received by the CKC less than 180 days prior to the event, and rejection will cause undue hardship on the show-giving club, the CKC, after consultation with the local CKC Board Member, may approve the application. An administrative fee, as set by the Board, will be levied.

2.5 Failure to Hold a Show

- 2.5.1 The CKC shall have the power to grant or withhold approval of an application for dates. If granted and the club fails to hold the show on the date approved, an administrative fee as set by the Board will be assessed against the club. This fee is payable within 30 days of notification from the CKC. In the event such action is taken, the show-giving club shall have no claim against the CKC.

2.6 Advertising Events

- 2.6.1 A club that has not been granted priority dates must not advertise or publish the date of any event that has not been approved by the CKC.
- 2.6.2 A club that has been granted priority dates for its event may advertise those dates prior to submitting the event-date application form. This does not exempt the club from submitting the required application to the CKC within the prescribed time frame.

2.7 Conflicting Dates

- 2.7.1 The same date or any part of it shall not be granted if, in the opinion of the CKC, such is likely to conflict with any show to be held on the same date in the same vicinity.

2.8 Veterinarian

- 2.8.1 Every conformation show shall have available the emergency contact information for the nearest qualified veterinarian or after-hours emergency veterinary clinic.

2.9 Benching

- 2.9.1 A club may hold a benched show by advising the CKC of its intention on the application for date approval.
- 2.9.2 Where dogs are entered at a benched conformation show, the show-giving club must provide suitable benching and/or cages for each dog entered.
- 2.9.3 All dogs entered must be on their benches, being prepared for showing, in the ring, being exercised, or en route to or from same during the advertised hours of the show's duration.

-
- 2.9.4 Over each benching area, signs must be posted designating the breeds in each row.
- 2.9.5 Nothing shall be displayed on the bench or cage at a show except the kennel name and address and any ribbons won by the dog on that day. All other signs and displays are at the discretion of the Show Superintendent.
- 2.9.6 A club holding a show may prescribe additional rules with regard to the benching of dogs at its show, provided such rules do not conflict with the Conformation Rules & Regulations. Failure of an exhibitor/ handler to comply with benching rules shall be considered failure to comply with the CKC Conformation Rules & Regulations and disciplinary action may cause cancellation of awards attained at the show.
- 2.9.7 Within 10 days after the show, the Show Superintendent shall submit a written report of any violation of these benching rules to the CKC.
-

3 SELECTION OF JUDGES

3.1 Contract Between a Judge and a Club

- 3.1.1 A verbal or written approach to a judge regarding a specific event must be confirmed in writing by the show-giving club by mail or e-mail within 30 days of the inquiry or the assignment will be considered null and void and the judge is thereby free to accept other assignments.
(14-03-16)
- 3.1.2 A judge must confirm in writing by mail or e-mail his acceptance of the assignment with a club within 30 days after receipt of confirmation by a club that the services of the judge will be required. If such confirmation is not received by the club within 30 days, the agreement will be considered null and void and a club is free to seek the services of another judge.
(14-03-16)

3.2 Making Application

- 3.2.1 The Application for Approval of Selected Judges (judges panel) will be processed by the CKC only after approval to hold the event has been granted. This application must be received not less than 120 days prior to the date of the show and must set forth the names and addresses of the persons selected to
-

judge at the show, listing in each instance, the particular breeds and awards assigned to each judge.

- 3.2.2 When the Application for Approval of Selected Judges reaches the CKC less than 120 days prior to the show, an administrative charge as set by the Board is assessed against the club.
- 3.2.3 Any judge hired to judge official classes at a show shall not judge sweepstakes at that show or any show held in the same venue – i.e., two- or three-day duration.
- 3.2.4 (66-09-16) When a club is notified by the CKC that a judge is ineligible to judge a breed or award listed on the application, the club must resubmit a corrected application to the CKC to be approved in its entirety.
- 3.2.5 Once advised that the CKC has approved the selection of judges, the club must then forward the CKC Confirmation of Judging Assignment form to each judge. A club shall not advertise its selected judges until approval has been granted for the complete selection.
- 3.2.6 The club shall not add nor subtract from the number of breeds that a judge has agreed to judge without first obtaining consent from the judge to the proposed change. The judge may disallow any changes to the original assignment.
- 3.2.7 Once a panel of judges for a show has been approved by the CKC, no change will be permitted except when necessary (i.e., due to death or illness) and in an overload situation.

3.3 Substitute Judge

- 3.3.1 (12-06-17) When a show-giving club is notified prior to the opening of the show that an advertised judge will not be able to fulfill his assignment, permission from the CKC to substitute the judge is required. If time does not permit approval from the CKC, the local CKC Board Member may give approval for said substitution. Exhibitors affected by this change may withdraw their entries up to one (1) hour before the judging of the breed, notice of withdrawal must be made in writing. All entry and listing fees for withdrawn dogs shall be refunded. An exhibitor may enter a dog under the replacement judge providing that the dog is entered in one (1) of the regular classes of a show being held at the same venue by the same club and has been assigned a competition number. A new entry, along with accompanying

fees, will be accepted by the Show Secretary up to one (1) hour prior to the start of the show.

3.3.2 When a club has scheduled a sweepstakes in conjunction with their show, a dog withdrawn from the regular classes, pursuant to Section 3.3.1 if entered in the sweepstakes must also be withdrawn from the sweepstakes as per Section 12.8.1. A refund for both the regular and sweepstakes classes shall apply.
(12-06-17)

3.3.3 Where an advertised judge is unable to finish the assignment on that day, a substitute judge shall be selected by the show committee. The awards made by the regular judge shall stand and the substitute shall judge only the remaining classes. Dogs judged by the advertised judge shall not be withheld from further competition. Any dog which is to be judged by the substitute may be withdrawn from competition but the entry fee will remain the property of the club.
(12-06-17)

3.3.4 If a qualified judge is not available, the Show Committee, in consultation with the local CKC Board Member or Conformation Show Representative (if available), shall choose a person who, in their opinion, is capable of substituting for the approved judge.
(12-06-17)

3.3.5 Where the advertised judge is delayed in arriving, the substituting judge shall be permitted to finish judging the breed or group classes already in progress when the advertised judge arrives. This shall also apply to judges becoming ill or injured while judging.
(09-03-14)

3.4 Rate of Judging

3.4.1 A judge must maintain an average judging rate of not less than 20 dogs nor more than 25 dogs per hour at the breed level.

3.4.2 A judge shall not judge more than 175 dogs at the breed level in a single day, including dogs entered in stakes, non-regular classes and specialty shows held on the same day. Where a judge is engaged to judge more than one (1) show on the same date in the same venue, it is the joint responsibility of the clubs to ensure this rule is enforced.

3.4.3 A judge must be provided with a meal period of not less than 30 minutes.

3.4.4 When a judge is scheduled to judge conformation and obedience on the same day, the combined total of the breed and obedience classes shall not

exceed 420 minutes. The following must be used to determine whether total entries for the judge would exceed the time limitation:

Conformation 2 1/2 minutes per dog;

Novice class 7 1/2 minutes per dog;

Open class 8 1/2 minutes per dog;

Utility class 10 minutes per dog.

- 3.4.5 When the total exceeds the 420-minute limit, sufficient entries to reduce the time must be transferred to another judge.

3.5 Judging Overloads

- 3.5.1 When entries close and the club determines that the total number of dogs entered under a judge exceeds 175 at breed level, the club in question must seek approval from the CKC to transfer a sufficient number of dogs to another judge to reduce the total number to 175. One or more regular classes shall be reassigned until the original assignment is brought as closely as possible to 175 dogs. Exhibitors affected by the change may withdraw their entries up to one (1) hour before judging of the breed, providing that notice of withdrawal is made in writing. All entry and listing fees for withdrawn dogs shall be refunded. Similarly, a dog entered at the show but not under the judge drawing an overload, may enter under the substitute judge as provided for in Section 8.5.8.
- (13-06-17)*

4 JUDGES

4.1 General

- 4.1.1 A judge officiating at a show must report to the Show Secretary at least 15 minutes before the scheduled starting time for the assignment.
- 4.1.2 In the event of any discrepancy between the Handbook for Conformation Judges and the Conformation Show Rules & Regulations, the Conformation Show Rules & Regulations shall take precedence.
- 4.1.3 Should a judge be unable to fulfill his assignment due to illness or to any other circumstances beyond
-

his control, the judge shall immediately notify the club; follow up such conversation with written confirmation (letter, fax, email) sent to the club and the CKC of his inability to officiate.

4.1.4 Solicitation

- (a) A judge shall not communicate directly or indirectly with any club or member of a club for the purpose of soliciting a judging assignment.
- (b) For greater certainty, listing in canine publications and the use of business cards shall not constitute solicitation on the part of the judge.

4.1.5 No person may approach a judge either directly or otherwise, orally or in writing, to favour his entry. Disciplinary action will be taken against any person who violates this rule or against a judge who fails to report any contravention of this rule to the CKC within 14 days of the act.

4.1.6 No person shall enter or exhibit a dog under a judge which that judge has owned, conditioned, trained, bred to, sold, handled, held under lease, boarded or held in residency within six (6) months prior to the date of the show at which he officiates as a judge. This rule shall apply regardless of whether the judge benefited in any way from any of the aforementioned activities. It is the responsibility of the owner of the dog to see that this rule is not violated.

4.1.7 In cases where a judge, or any member of a judge's immediate family, employs the services of an agent, said agent shall not handle any dog under this judge during, and for a period of four (4) months following termination of, such employment.

(41-03-12)

4.1.8 A judge shall excuse a dog from the ring if he is aware of a violation of these rules and regulations.

4.1.9 A judge is not allowed to consume alcoholic beverages or smoke at the venue until the completion of the assignment.

4.1.10 It shall be considered a serious offense for a judge who is officiating at a show to knowingly travel to or from the show in the company of an exhibitor, handler or dogs participating in that show, or to share accommodation with such persons.

4.1.11 Judges Ring Stewarding (See Section 5.1.7.)

4.2 Conflicts

- 4.2.1 A judge shall not accept a judging assignment for more than one (1) show on the same date except in the case of combined shows being held at the same venue on the same date.
- 4.2.2 *(17-03-17)* A judge must not accept an assignment to judge the same breeds, groups or general Specials at shows that are held less than 90 days apart if the distance between the shows is within 350 road miles (562 km). An administrative charge as set by the Board will be levied against any judge who violates this provision in the rules. Disciplinary action may be taken against repeat offenders.
- 4.2.3 *(104-06-16)* Assignments with non-CKC clubs within Canada will be subject to Section 4.2.2. An administrative charge as set by the Board will be levied against any judge who violates this provision in the rules. Disciplinary action and possible loss of judging privileges may be taken against repeat offenders.
- 4.2.4 The time and mileage restriction will be waived for an emergency substitute judge who is required to replace the published judge at the last minute (due to illness, etc.).
- 4.2.5 Sweepstakes judges are exempt from these restrictions.

4.3 Judges Entering or Handling Dogs

- 4.3.1 A judge (conformation or permit) officiating at a show held at the same venue (i.e., two- or three-day duration) or any member of the judge's immediate family or household, shall not enter or handle any dog at these same shows. This includes specialties in conjunction with these same shows.
- 4.3.2 A person who has established eligibility to judge one or more breeds at shows held under these rules may, while such eligibility remains in effect, only handle dogs that are wholly owned or co-owned by the judge or a member of his immediate family.
- 4.3.3 *(03-12-09)* Any person who judges a sweepstakes at a specialty show shall not enter or handle a dog at the associated specialty show.
- 4.3.4 *(03-12-09)* *(13-09-14)* Any person who judges a sweepstakes at an all-breed show shall not enter or handle a dog at the all-breed show or any specialty show held at the same venue on that day.

-
- 4.3.5 *(03-12-09)* Any person who judges a sweepstakes at a specialty show held in conjunction with an all-breed show shall not enter or handle a dog at the all-breed show on that day.

4.4 **Judging the Dogs**

- 4.4.1 If the dentition of the dog under examination is not automatically shown by the exhibitor, the judge will be permitted to open the dog's mouth.
- 4.4.2 While judging, a judge may not discuss the merits of the dogs with the stewards, attendants, exhibitors or spectators.
- 4.4.3 If an interpreter is required in the judging ring, this person shall not be associated in any way with the breeds under judgment.
- 4.4.4 *(87-06-16)* Under normal circumstances the judging schedule should not be altered; however, special circumstances should allow the judge some discretion.
- 4.4.5 The judge is in charge of the ring in which he is judging, and shall maintain proper control while using established judging procedures, as defined in the Judges Guidelines. In exercising their authority, judges shall be considerate to both exhibitors and their dogs. All exhibitors, handlers, dogs and ring stewards within the ring, are subject to his instructions. Unless requested by the judge to do so, no official or other person shall seek to direct or advise an officiating judge within his ring except on official show business. Under no circumstances shall any person seek to influence a judge with regards to the merits of any dog in the ring. A judge is, however, free to ask the Show Superintendent to deal with any situation where he feels such action is advisable.
- 4.4.6 *(09-03-10)* A judge's decision shall be final in all cases affecting the merits of the dogs. Full discretionary power is given to the judge to withhold any awards or prizes for want of merit. The awarding of a first prize in any class shall not obligate the judge to award Winners or higher awards if he feels that such an award should be withheld. Where a judge has withheld a first place or higher award in any class, the dogs in that class immediately become ineligible for further awards at that show.

-
- 4.4.7 Awards may be withheld at any level of competition. The reason for such action must be stated in the judge's book and initialed by the judge who will then clearly and diplomatically explain his decision to the handler involved.
- 4.4.8 After a class has been judged in accordance with these rules, it shall not be rejudged. A class is considered judged when the judge has indicated his placements.
- 4.4.9 Only the judge is allowed to mark his book. The book cannot be changed by him after the closing of the show; however, a clerical error in the judge's book may be corrected by the CKC after consultation with the judge.
- 4.4.10 At the end of his assignment, the judge should ensure that his book is properly completed by checking the following:
- (a) that the book is properly signed;
 - (b) that any changes are initialed;
 - (c) that the starting and finishing times of the assignment are clearly indicated;
 - (d) that all dogs absent are so marked.
- 4.4.11 Judges must place the dogs at the appropriate placard before marking the judge's book and awarding the ribbons.
- 4.4.12 The judge in the ring will then:
- (a) check the armband numbers;
 - (b) mark the judge's book, indicating placements and absentees;
 - (c) hand out ribbons and/or prizes.
- 4.4.13 When awarding Best of Breed, the judge shall announce the winners in the following order:
- (a) Best of Breed;
 - (b) Best of Opposite Sex;
 - (68-09-16) (c) Best of Winners;
 - (68-09-16) (d) Select Dog;
 - (e) Select Bitch.
- 4.4.14 Judges officiating at shows held under these rules shall be governed by the standards of the breeds as adopted by the CKC.
- 4.4.15 When judging at the group level, the judge must examine all dogs that have not been previously examined by him on that day.
-

-
- 4.4.16 When judging general Specials, the judge must individually examine all dogs.

4.5 Tables & Ramps

- 4.5.1 When examining breeds that must be examined on the table (see Appendix G – List of Breeds that Must be Judged on the Table), the judge may place a maximum of two (2) dogs on the table at the same time. In the case of re-examination, a dog that was previously examined on the table must be re-examined on the table. This applies to all levels of competition.
(30-06-17)
- 4.5.2 When examining breeds that must be judged on a ramp (see Appendix H – List of Breeds that Must be Judged on a Ramp), in the case of re-examination, a dog that was previously examined on a ramp must be re-examined on a ramp. This applies to all levels of competition.
(85-06-16)
- 4.5.3 At the discretion of the judge, designated ramp breeds (see Appendix I – List of Breeds that May be Judged on a Ramp) may be examined on the ground or on a ramp. The entire entry in a breed is to be examined in the same manner on the ramp or on the ground.
- 4.5.4 Breeds not designated as either table or ramp breeds are customarily examined on the ground. At the discretion of the judge, ramps may be used to judge any breed.

The entire entry in a breed is to be examined in the same manner.

4.6 Weighing & Measuring of Dogs

- 4.6.1 A judge shall have the right to measure in the ring and weigh or have weighed by the superintendent, any dog whose breed standard lists height or weight as a disqualification. The decision of the Show Superintendent reported to the judge shall be final in the determination of the weight. The decision of the judge shall be final in the determination of all disqualifications.

4.7 Indignities to a Judge

- 4.7.1 A judge officiating at a show held under these rules shall not be subjected to indignities of any kind

during the progress of the show. It shall be the duty and obligation of the club holding the show to see that this rule is effectively carried out.

4.8 Judge's Conduct

- 4.8.1 A judge must conduct himself in a manner that is fair and not prejudicial to the sport.

5 SHOW OFFICIALS & RING STEWARDS

5.1 Show Officials

- 5.1.1 A show-giving club shall, by appointment or election, name the superintendent, chair and all members of the show committee.
- 5.1.2 Except as otherwise provided in these rules and subject only to any instructions that the show committee has delivered in writing to the Show Superintendent, the Show Superintendent is in charge of the show.
- 5.1.3 No person shall act in the capacity of both the Show Secretary and the Show Superintendent at the same show.
(75-09-16)
- 5.1.4 The show committee and Show Superintendent are jointly responsible for the enforcement of all rules and regulations relating to their shows and any additional rules announced in the premium list. They must have an up-to-date copy of the Conformation Rules & Regulations on hand at the show.
- 5.1.5 The duties and authority of all show officials shall be as prescribed by the Board.
- 5.1.6 The officials of a show-giving club will be held responsible for the conduct of exhibitors and spectators during the show. Any person acting in an objectionable manner must be removed from the show on complaint to the Show Superintendent.
- 5.1.7 No person shall act as a show official (Show Superintendent, Show Secretary, chief ring steward, ring steward) while he or any member of his immediate family is acting as an officiating judge at the same show. Upon completion of the total judging assign-
(86-06-16)

ment (for the entire event), a judge or any member of his immediate family may be allowed to ring steward. This does not apply to sweepstakes judges.

- 5.1.8 Any person acting as a Show Superintendent or Show Secretary of a conformation show must be a regular member in good standing with the CKC.
- 5.1.9 Show Superintendents and Show Secretaries may not handle dogs at the show where they are officiating.
- 5.1.10 Where a person who has control or custody of a dog at a CKC event causes that dog to suffer serious injury or death through negligence or willful misconduct, the Show Superintendent shall file a report to the CKC for possible submission to the Discipline Committee.

5.2 Ring Stewards

- 5.2.1 The chief ring steward is bound by the same regulations as a ring steward.
- 5.2.2 Ring stewards shall be selected by the show-giving club. It shall be the duty of the ring steward to assist the judge and to see that no one, except the Show Superintendent, Show Secretary, judge, an assistant ring steward and the exhibitors are permitted in the ring during the judging.
- 5.2.3 A person may not ring steward for a judge under whom he or a member of his immediate family or household will be exhibiting (or acting as agent) until the day following such dog being exhibited at that venue.
- 5.2.4 There must be at least one competent ring steward for each ring. Clubs may, if they wish, provide a second steward to expedite the smooth running and/or changing of the classes.

5.3 Persons with Disabilities

- 5.3.1 A handler with a disability may compete using a cane, crutch, walker, wheelchair or electric wheelchair. (23-12-15)
- 5.3.2 When gaiting the dogs, a handler with disabilities may request the use of a runner. (20-09-09)
- 5.3.3 Blind handlers may have a second person assist them in individual and group gaiting of the dogs. If the ring surface or terrain makes it difficult for the (20-09-09)

assisted handler to gait the dog at a normal speed, the judge may adjust where the dog is placed in line to give all handlers an equal opportunity to show their dogs. Blind handlers may have the second person assist in placing table dogs onto tables and verify weight and measurements that may be required under the breed standard. The primary function of exhibiting the dog is the responsibility of the handler and not the second person in the ring.

6 PREMIUM LIST, CATALOGUE & JUDGING SCHEDULE

6.1 Premium List

6.1.1 After permission to hold a show has been granted (08-09-11) and the judging panel has been approved, a club must prepare a premium list.

6.1.2 The premium list must contain the information as prescribed by the CKC from time to time. See Appendix B – Premium List.

6.1.3 The show-giving club shall forward one copy of the premium list to each of the following: the CKC Head Office (Shows & Trials Division); the judges for the show; the local CKC Board Member; and the Conformation Show Representative. These are to be received not less than 60 days prior to the date of the show.

Where a specialty show is being held in conjunction with an all-breed show it shall be permissible for the premium lists to be combined, provided the particulars for each show are kept separate. The rules for entry in the specialty show are subject to the same discipline and requirements as the all-breed show.

6.1.4 After permission to hold a show has been granted (08-09-11) and the judging panel has been approved, a club may prepare an information flyer, which may be distributed in hard copy or electronically and sent to exhibitors. This information flyer need only contain information that the show-giving club deems necessary.

6.2 Catalogue

- 6.2.1 Each club holding a conformation show must provide a standard catalogue, which shall contain such information as may be ordered by the Board from time to time. See Appendix C – Catalogue.
- 6.2.2 Where a specialty show is held in conjunction with an all-breed show, the catalogues for both events may be combined under one cover provided all information is included for both events.
- 6.2.3 Every entry must be printed in the catalogue; errors and omissions on the part of the club or printers excepted. Where an entry is not printed, the show-giving club shall provide proof that the entry was taken before the closing date.
- 6.2.4 The name of the agent/handler must be included in the catalogue when this information is entered on the entry form.
- 6.2.5 A show catalogue shall not be placed on sale or made available to exhibitors, officials, members of the show-giving club or general public, until 1-1/2 hours prior to the opening of the first approved event. In the case of a club holding two (2) or more consecutive shows, the opening of the show shall mean the day of the first show.
- 6.2.6 In the event of an error in either the catalogue or judge's book that differs from the information on the entry form, the Show Secretary or Show Superintendent may, upon request from the owner/handler of said dog and prior to the judging, correct the judge's book and marked catalogue to be sent to the CKC. The dog may compete in the class as stated on the entry form.
- 6.2.7 A show-giving club must provide a complimentary copy of its catalogue to each attending CKC Officer, local CKC Board Member and Conformation Show Representative residing in the zone in which the show is being held.
- 6.2.8 A club holding a field-trial conformation show will prepare and file with the CKC a report of all entries and awards made at such shows in the standard format as required by the CKC.

6.3 Judging Schedule

- 6.3.1 As soon as possible after entries close, the show-giving club shall send to each exhibitor, a confirmation of receipt of entry, an identification card, a judging schedule and a pass for the show. Such notification may be by electronic means when an email address for the owner or the agent has been provided on the entry form.
(07-09-11)
- 6.3.2 At the time of distribution of the judging schedule to exhibitors, the show-giving club shall forward a copy to CKC Head Office (Shows & Trials Division), each judge on the panel for the show, the local CKC Board Member and the Conformation Show Representative of the zone in which the show is to be held.
- 6.3.3 When a specialty show is held in conjunction with an all-breed event, it is the responsibility of the specialty club to separate its judging schedule data from the all-breed judging schedule, ensuring that the event is clearly identified.
- 6.3.4 In the preparation and issuance of a judging schedule, a show-giving club shall schedule a judge to judge at an average judging rate of not less than 20 nor more than 25 dogs per hour at the breed level.
- 6.3.5 Where a time is shown for the judging of a breed or group, the said breed or group shall not be judged prior to the stated time. Where the group judging is to follow the judging of the breeds in that group, the show-giving club must allow sufficient time before the start of the next class.
- 6.3.6 Any show-giving club whose all-breed show is not completed by 11:00 p.m. may be subject to an administrative charge set by the Board.
- 6.3.7 An administrative fee as identified in the schedule of fees will be levied against any club that fails to ensure that the judging schedule is made available to exhibitors and CKC Head Office, a minimum of six (6) days prior to the first day of the event.
(94-06-17)

7 RIBBONS & PRIZES

7.1 General

- 7.1.1 A club holding a conformation event under these rules shall provide ribbons and/or rosettes as described in this section and shall be subject to disciplinary action for failing to comply with the provisions of this section.

7.2 Printing

- 7.2.1 The following information shall appear on the face of each ribbon and rosette: name of the club holding the show; type of event; facsimile of the crest of the CKC and identification of the award for which the ribbon or rosette is being presented. The club may, at its option, include the date of the show either on the face of the ribbon or rosette or on a card attached to the back.
- 7.2.2 Ribbons and/or rosettes for a breed booster must be as provided by the all-breed show and must not include any additional information (e.g., name of club hosting the boosted entry).

7.3 Size & Colour

- 7.3.1 Each ribbon must be no less than 20 cm (8 in) in length nor less than 5 cm (2 in) in width.

- 7.3.2 Ribbon (or rosette) colours for official classes and awards at the breed level:

First	Royal Blue
Second	Red
Third	Yellow
Fourth	White
Winners	Royal Purple
Reserve Winners	Lavender
Best of Winners	Purple & Gold
Best of Breed	Tricolour (Red, White & Blue)
Best of Opposite Sex	Green & White
(88-06-16) Grand Champion Select ...	Rainbow
(16-12-12) Best Puppy in Breed	Pale Blue

-
- 7.3.3 Non-Regular/Unofficial (unless otherwise specified
(16-12-12) in this section):
- First to fourth and/or any
“Best” Award Green
- 7.3.4 At specialty shows (if awarded):
- Best Canadian Bred
in Specialty..... Red & White
- Best Canadian Bred
Puppy in Specialty Pink & Blue
- 7.3.5 Optional classes:
(16-12-12)
- All awards for Baby Puppy
at breed, group and
show level..... Orange
- Awards for Veterans
all-breed shows) at breed
and group level..... Grey
- Best Veteran in Show Grey & White
- 7.3.6 Rosettes for conformation shows
(24-12-11)
- Group awards:
- First Blue
- Second Red
- Third Yellow
- Fourth..... White
- Best Puppy in Group Pale Blue
- 7.3.7 For all-breed conformation shows only:
- Best in Show Tricolour
(Red, White & Blue)
- Best Puppy in Show..... Pale Blue
- Reserve Best in Show..... Lavender
- 7.3.8 Multiple-coloured ribbons must have the colour
dimensions evenly distributed.
- 7.3.9 Ribbons – Altered class:
(16-12-12)
- First Teal
- Second Maroon
- Third Rose
- Fourth Cream
- Winners Turquoise
- Reserve Winners Fuchsia
- Best of Breed Altered..... Blue & White
-

Best Opposite Altered Purple & White
First in Altered Group Teal
Second in Altered Group .. Maroon
Third in Altered Group..... Rose
Fourth in Altered Group... Cream
Best Altered in Show Teal & White

7.4 Prizes

- 7.4.1 All prizes offered must be listed in the premium list. If money prizes are offered, a fixed amount shall be stated for each prize. All prize money must be paid and awarded to the person handling the dog in the ring. A club may not accept, add, withdraw nor change the conditions of awarding any prize after the premium list has been issued.
- 7.4.2 Prizes must be offered to be won outright at the show and awarded automatically except Challenge trophies or other prizes that cannot be won outright at a single show.
- 7.4.3 The person handling the dog in the ring shall be recognized as the agent or owner of the dog and delivery to the handler (in the ring) of any prize won shall constitute full delivery of the prize to the owner.

8 ENTRIES & END OF SHOW

8.1 General

- 8.1.1 A dog may not be entered or exhibited at a show held under these rules if it has any communicable disease. Dogs entered in a show must have current immunization status.
- 8.1.2 No dog may be brought onto the grounds or premises of a show held under these rules if it:
- (a) is known to have distemper, parvovirus, kennel cough or other communicable disease;
 - (69-09-16) (b) has recovered from distemper, parvovirus, kennel cough or other communicable disease within the last 30 days;
 - (69-09-16) (c) has been housed within 30 days prior to the show on premises on which there existed

distemper, parvovirus, kennel cough or other communicable disease.

- 8.1.3 Where it is found that these rules have been contravened, the dog in question shall be removed from the show premises and the exhibitor will be subject to disciplinary action.

8.2 Entry Forms

- 8.2.1 An official CKC entry form must be completed in full and signed by the owner or authorized agent. Failure to do so may result in the cancellation of all wins.
- 8.2.2 A show-giving club must reject an incomplete entry form and return it immediately to the sender.
- 8.2.3 Entry forms received by the CKC that are incomplete and/or contain incorrect information may result in awards being cancelled.
- 8.2.4 After entries close, the entry forms shall be made available for inspection by the local CKC Board Member or an advisor appointed to carry out such inspection.
- 8.2.5 An error in an age-specified class, date of birth or sex, may be amended on the entry form up to one (1) hour before the start of the show.

8.3 Entries

- 8.3.1 Every dog entered in a conformation show must be one of the following:
- (a) registered with the CKC;
 - (b) have an Event Registration Number;
 - (c) eligible for registration with the CKC;
 - (49-03-13) (d) with the exception of Baby Puppy, if it belongs to a listed breed, it must have a Miscellaneous Certification Number (MCN).
- 8.3.2 No person shall enter a dog in a championship show that is known to be blind (in one or both eyes), deaf, castrated or spayed or that has had its appearance changed by artificial or surgical means other than those recognized by the standard for its breed.

8.4 Listed Dogs

- 8.4.1 If a dog is not registered as in 8.3.1 (a) or (b) but is eligible for registration with the CKC, it may be entered at a show as a listed dog provided:
- (a) that if born in Canada, it is eligible for individual registration;
 - (b) that if not born in Canada, it is eligible for registration in the records of the CKC;
 - (c) that if it is a foreign-born and owned dog, an Event Registration Number or CKC registration number is obtained from the CKC within 30 days of the first show entered.
- 8.4.2 Entry of a listed dog at a show must be accompanied by a listing fee as set by the Board in addition to the regular entry fee.
- 8.4.3 The CKC has the right to require the owner of a listed dog to provide proof of the dog's eligibility for registration in the CKC. If it is found that the dog is not eligible, the CKC shall have the right to cancel all wins.
- 8.4.4 When a CKC registration number for a listed dog is received after the closing date and prior to the date of the show, this number may be added to the entry and noted in the marked catalogue. Listing fees will not be refunded. This then allows a dog who completes the requirement for championship status to be moved up to Specials.

8.5 Acceptance of Entries

- 8.5.1 If indicated in the premium list, an electronically transmitted entry may be accepted provided the entry is accompanied by a credit card charge authorization.
- 8.5.2 Telephone and telegraph entries are prohibited except as provided by the Board in the event of a postal disruption.
- 8.5.3 No entry shall be accepted from or on behalf of any person who is officially known to be expelled, deprived of privileges, debarred or suspended by the CKC or any other registering body for purebred dogs.
- 8.5.4 After entries close, no further entries may be accepted, cancelled or substituted other than as

otherwise stated in this section or as provided for in the case of a postal strike.

- 8.5.5 A club accepting an entry after the date specified in the premium list shall be subject to an administrative charge as set by the Board. The Show Secretary must be in possession of all entries at the time of closing.
- 8.5.6 The closing date for entries must not be less than 10 days prior to the date of the show.
- 8.5.7 No entries may be changed or altered after the close of entries with the exception as stated in Section 8.2.5.
- 8.5.8 In case of a judge change (substitute or overload),
(20-12-15) an exhibitor may enter a dog under the replacement judge providing that the dog is entered in one of the regular classes of a show being held at the same venue and has been assigned a competition number. A new entry, along with accompanying fees, will be accepted by the Show Secretary up to one (1) hour prior to the start of the show (see Sections 3.3.1, 3.5.1 and 8.5.4).

8.6 Refusal of Entries

- 8.6.1 The authorities of any show may:
- (a) decline to accept entries for just cause;
 - (b) refuse to receive, or may remove any dog from the show building on account of disease or viciousness. A club declining an entry or ordering the removal of a dog from its show must report, in writing, all such matters to the CKC with a full explanation and/or reason within 14 days after its show has been held;
 - (c) in the case of non-acceptance, refund the fee with the reason for non-acceptance.
- 8.6.2 A club may refuse an entry from an exhibitor known to have tendered a dishonoured cheque or declined credit card unless entries are accompanied by cash, money order or certified cheque.
- 8.6.3 No one shall have any claim or recourse against the club holding the show or any official connected therewith for the refusal of an entry for just cause.

8.7 Withdrawal of Entries

- 8.7.1 An exhibitor has the right to withdraw an entry at any time up to the closing date and time as published in the premium list. This may be done by telephone, but either written or electronic notification must be received by the Show Secretary no later than the official closing date and time as stated in the premium list. If written or electronic notification is not received, the dog will remain entered in the show.

8.8 Fees

- 8.8.1 No dog shall be allowed to participate at a show unless the entry fee has been paid and any wins attained by a dog in violation of this rule shall be subject to cancellation.
- 8.8.2 Tendering of a dishonoured cheque or declined credit card in payment of an entry fee shall be considered non-payment of said fee and is an offence punishable by disciplinary action and cancellation of awards.
- 8.8.3 The owner or agent of any dog that has not been judged in its regular breed classes by 10:00 p.m. (on the last day of the show if more than a one-day show) shall have the privilege of demanding the return of the entry fee for the dog not judged.

8.9 Moving a Dog to Specials

- 8.9.1 A dog that is registered in the records of the CKC or that has a Miscellaneous Certification Number (MCN) and has completed the requirements for a championship in accordance with these rules but at the time of the closing of entries for show has not received confirmation of the title, may be transferred from one of the regular classes to Specials Only providing the transfer is submitted to the Show Secretary in writing by the owner or handler at least one (1) hour prior to the opening of the show.
- 8.9.2 If it is established that a dog transferred to Specials Only has not completed the championship requirements, all awards will be cancelled and all ribbons and prizes won shall be forfeited. The owner may also be subject to disciplinary action.
- 8.9.3 When one or more all-breed and/or specialty shows are held on the same day, in the same venue, the request for moving of class dogs to Specials Only

must be made a minimum of one (1) hour prior to the scheduled start of the show for which the dog is being moved up to Specials Only. The Show Secretary shall amend the judge's book and the marked catalogue, which is to be sent to the CKC with the requests attached to the appropriate entry forms.

- 8.9.4 No dog may be transferred to another class except as provided in Sections 8.2.5, 8.9.1 and 12.2.1 (g).

8.10 Ownership

- 8.10.1 No entry may be made under the ownership of a kennel name unless that kennel name has been reserved with the CKC.

- 8.10.2 All dogs entered in a show shall be the property of the person recorded as the owner and the right to exhibit a dog cannot be transferred. Where an entry does not show the owner's name, the wins of the dog will be cancelled. If a dog is entered in the name of an association, the association name and the names of its signing officers shall appear on the entry form.

- 8.10.3 A registered dog that has been acquired by a person other than the recorded owner may be entered in the name of the new owner at a show but the application for transfer of ownership must be sent to the CKC within 30 days of the show or the wins of the dog will be cancelled. Any unavoidable delay in complying with this rule must be acceptable to the CKC if the wins are to remain as recorded.

- 8.10.4 If points are recorded for a dog that has been listed with the CKC and the name previously used has been changed, the former name as well as the registered name shall be given on all entry forms until such time as said dog has been awarded Winners at a show, at which time the former name may be excluded.

8.11 In Transit Area

- 8.11.1 In its premium list, a club may offer an "In Transit Area," for owners/handlers who are transporting dogs not entered in the show. The dog's information and reason for its presence must be recorded with the Show Secretary or Show Superintendent. An identifying tag will be issued and must be attached to the crate or container, which the owner/agent must supply.

-
- 8.11.2 All dogs issued an In Transit Pass, must be three (3) months of age or older. The owner/agent is responsible for the care of said dog.

8.12 End of Show

- 8.12.1 The secretary or the Show Secretary of the club holding a show held under these rules shall forward to the CKC all of the information contained in Appendix D – End of Show, so as to be received not more than 21 days after the last day of the show. Non-compliance with the provisions of this section will result in an automatic administrative charge for each day over the 21-day period.
(70-09-16)
- 8.12.2 In the event that the CKC establishes that the required remittance fails to cover the prescribed fees and charges, an administrative fee as set by the Board will be payable by the show-giving club.
- 8.12.3 The CKC may require a show-giving club to provide a report of any matter or matters connected with its show. This must be made within 14 days of the date the club receives the request.

9 EXHIBITORS & THEIR DOGS

- 9.1 The show committee shall provide, without cost, one pass for each dog entered. If a show is held in conjunction with a fair, exhibition or other activity where an admission fee is charged, the exhibitor's pass must include free entry to the building in which the conformation show is held.
(16-06-17)
- 9.2 All CKC Officers, CKC Board Members and the local Conformation Show Representative shall be admitted without charge to any conformation show.
- 9.3 No person may smoke while handling a dog in the ring. All persons are required to abide by any no-smoking ordinance of the venue and/or local municipality.
(15-06-17)
- 9.4 The Show Superintendent is responsible for ensuring that any individual outside the ring who is engaged in double handling is promptly removed from the show premises.

-
- 9.5 (16-06-17) Any person, either within or outside the judging ring, who does anything calculated to attract, distract or otherwise interfere in any way with the attention or deportment of a dog under judgment may be disciplined by the Discipline Committee in whatever way it considers in the best interests of the club, or the judge may take any of the following summary action:
- (a) announce to ringside that double handling will not be tolerated;
 - (b) request the assistance of the Show Superintendent in monitoring ringside;
 - (c) at the judge's discretion, excuse the dog(s) for the day.
- 9.6 The handler of a dog in the ring may be changed only with the permission of the officiating judge.
- 9.7 (16-06-17) A dog confined in a crate for any reason must have sufficient room to either lie or stand comfortably and move around easily. The Show Superintendent is empowered to direct the owner/agent to remove any dog from a crate that does not conform to this rule. Failure to comply with this request is sufficient cause for the dog to be ordered from the show.
- 9.8 The office copy from the judge's book shall be posted in a prominent location. These pages must not be removed without the permission of the Show Superintendent or disciplinary action will be taken. Exhibitors should check to ensure the awards are correct and if an error is found, it should be drawn to the attention of the Show Superintendent immediately.
- 9.9 The CKC will not consider a request for correction in the judge's book if received more than 60 days following the publication of the show.
- 9.10 (16-06-17) No badges, coats with kennel names thereon or ribbon prizes shall be worn or displayed in the ring. No other means of identification shall be used by an individual when exhibiting a dog in the ring.
- 9.11 No person shall exhibit or handle a dog if:
- (a) its coat or skin has been changed by the use of dye, chalk or other substance;
 - (b) a foreign substance is present in its coat;
 - (c) it is under the influence of a drug or other substance.
-

10 RINGS, FACILITIES & EQUIPMENT

- 10.1 Any club holding a conformation show must provide to each exhibitor, a standard armband with easily distinguishable numbers. This armband must be worn by the exhibitor while in the ring.
- 10.2 Surfaces of the judging rings must be flat, level and provide secure footing for the dogs and exhibitors.
- 10.3 Rings must be of adequate size to accommodate the maximum number of dogs and exhibitors to be in the ring and allow for proper gaiting.
- 10.4 Judging rings must be enclosed by a guard rail or rope at least 60 cm (2 ft) in height.
- 10.5 A club holding a conformation show must provide first, second, third and fourth place placards in every ring.
- 10.6 A show-giving club must provide a copy of the appropriate and current CKC-approved Official Breed Standard for each breed competing in a given ring. One copy of the current Conformation Rules & Regulations must be available at all times.
- 10.7 The show-giving club must provide the officiating judges with the standardized judges' books as supplied by the CKC.
- 10.8 Water, towels and disinfectant must be provided in the rings at all times.
- 10.9 All floors, exercise rings, etc., must be sprayed with disinfectant prior to and during the show.
- 10.10 The show-giving club must take adequate steps to ensure orderliness and cleanliness during the show. Adequate sanitary facilities must be provided for the exhibitors. If outdoors, these facilities must be not more than 92 m (100 yd) from the show venue.
- 10.11 Where adequate outdoor exercising space is not provided, the show-giving club will provide separate rings indoors for males and females. These rings must be of adequate size and the floors covered thickly with sawdust or other absorbent material. Attendants shall be on hand to dispose of evacuations in a closed receptacle provided for that purpose.
- 10.12 An adequate area must be provided for the convenience of exhibitors to prepare their dogs.

-
- 10.13 A show-giving club must arrange for an ample supply of clean water for the dogs entered at its show.
 - 10.14 A show-giving club must provide scales and an official measuring standard to comply with these rules.
 - 10.15 In the case of an outdoor show, a club must provide appropriate shelter or cover for the judges.
 - 10.16 A show-giving club must provide a ramp in accordance with the specifications found in Appendix F of these rules. This ramp will be used for examination of the breeds listed in Appendix H and for other breeds at the discretion of the judge.
-

11 UNSPORTSMANLIKE CONDUCT

- 11.1 It shall be deemed unsportsmanlike conduct if a person, during the running of or in connection with an event, abuses or harasses a judge, show official or any other person present in any capacity at the event.
 - 11.2 Any handler who displays unsportsmanlike conduct or who is seen to kick, strike or otherwise roughly manhandle a dog at any time during the holding of the event, may be expelled from the show by the Conformation Show Committee.
 - 11.3 The judges shall also have the authority to expel a handler from a show if they observe unsportsmanlike conduct on the part of the handler or see the handler kicking, striking or otherwise roughly manhandling a dog while the event is in progress. It will be the duty of the judge to report promptly to the Conformation Show Committee the expulsion of a handler.
 - 11.4 The Conformation Show Committee shall investigate, at once, any instance of alleged unsportsmanlike conduct on the part of the handler, or any report that a handler has been observed kicking, striking or otherwise roughly manhandling a dog. If the Conformation Show Committee, after investigation, determines that a handler is in violation of this section, and that the incident, if proven, would constitute conduct prejudicial to the sport or the CKC, it shall exercise its authority in accordance with the Complaints section of these rules.
-

-
- 11.5 The Show Superintendent shall submit to the CKC a complete report of any hearing action taken under this section within 21 days.
-

12 BREEDS, CLASSES, AWARDS & SWEEPSTAKES

12.1 Breeds

- 12.1.1 The regular official classes shall be confined to the breeds or varieties of breeds mentioned in Appendix A.
- 12.1.2 The Board may transfer any breed from one group to another whenever, in its opinion, sufficient evidence is presented to justify such a transfer.

12.2 Classes

- 12.2.1 Regular official classes at a CKC conformation show shall be as described in (a) to (j) of this section. All classes must be divided by sex (except for Specials Only). Only dogs entered in one of the regular, non-regular or unofficial classes shall be allowed within the show precincts.

(a) Junior Puppy Class

Dogs six (6) months of age and under nine (9) months of age on the day of the show.

(b) Senior Puppy Class

Dogs nine (9) months of age and under 12 months of age on the day of the show.

(c) 12-18 Month Class (All-Breed Shows)

Dogs 12 months of age and under 18 months of age on the day of the show.

(d) 12-18 Month Class (Specialty Shows)

Dogs 12 months of age and under 18 months of age on the day of the show. The club has the option to split this class as follows:

(i) 12-15 Month Class (Specialty Shows only)

Dogs 12 months of age and under 15 months of age on the day of the show.

-
- (ii) 15-18 Month Class (Specialty Shows only)
Dogs 15 months of age and under 18 months of age on the day of the show.
- (e) Canadian Bred Class
Dogs born in Canada. Champions of any country are excluded.
- (63-06-13) (f) Bred By Exhibitor Class
(23-06-17)
Dogs owned and handled in the ring by the breeder. The handler must be the owner/co-owner and breeder/co-breeder of the dog. The owner/breeder must handle the dog in this class, but need not handle the dog for further awards. Should the owner/breeder be unable to handle the dog in this class, the dog may be moved to the Open class (at least one hour prior to the judging of the breed in question).
- (23-06-17) (g) Open Class
All dogs. This class may be divided by colour if permission of the CKC is obtained.
- (17-06-17) (h) Veterans Class (*Specialty Shows Only*)
Dogs seven (7) years of age and over on the day of the show. This class may, at the discretion of the club, be divided by age into not more than three age divided classes. The winners of each class in each sex will compete for Best of Breed. Dogs entered in these classes may be spayed or neutered.
- (70-06-13) (i) Field Class (*Specialty Shows Only*)
(23-06-17)
This class is optional at specialty shows for breeds that have performance events in the field. Dogs entered in this class must have attained a title or placement in a field trial or test. This class is to be judged prior to Best of Breed judging and the winners in each sex will compete for Best of Breed. Dogs entered in these classes may be spayed or neutered.
- (j) Specials Only
- (i) Dogs that have a recorded CKC registration, Event Registration Number (ERN) or Miscellaneous Certification Number (MCN) and have attained the required points for championship status. All awards earned at the show will be cancelled if it is found that a dog is not registered or has not completed the requirements for a CKC championship. Dogs entered in this class will compete for Best of Breed, Best
-

of Opposite Sex and Best Puppy if eligible. After awarding Best of Breed, Best of Opposite Sex and Best of Winners in each breed, the judge may choose a Select Dog and Select Bitch.

- (ii) A dog entered in Specials Only shall be identified by gender in the judge's book and if incorrectly entered and substantiated by the Show Secretary or Show Superintendent, shall be excused from the ring by the judge.

12.2.2 Miniature Dachshund – Foreign Born

If still under one year of age, a foreign-born Miniature Dachshund is eligible to enter the Specials Only class after completing the requirement for a CKC championship provided the application for registration is received by the CKC within 30 days of the dog reaching one year of age. Failure to do so will result in automatic cancellation of all points on record.

12.2.3 Divided Classes at Specialty Conformation Shows

A club holding a specialty may, where applicable and with the permission of the CKC, divide regular official, non-regular or unofficial classes by colour, weight or coat type except for the Specials Only class. Only one Winners award may be given in each sex.

12.3 Awards

- 12.3.1 The following official awards may be made at the discretion of the officiating judges following the judging of the regular breed classes. No dog eligible to compete for any of these awards may be withheld from competition except if excused by the Show Superintendent. Any exhibitor withholding a dog in contravention of this rule shall be subject to disciplinary action. Only those dogs that are undefeated directly or indirectly are eligible to compete for the awards listed below:

(16-12-12) (a) **Winners Dog/Winners Bitch**

In each breed there may be one such award in each sex and only those dogs or bitches that are undefeated in the regular breed classes as set forth in these rules shall be eligible to compete. Dog/Bitch winners from the Veterans classes at specialty shows do not compete for points but proceed to Best of Breed judging.

(23-06-17) (b) Reserve Winners Dog/Reserve Winners Bitch

There may be only one such award for each sex per breed. The undefeated dogs or bitches in the regular classes and those dogs defeated only by the Winners Dog/Bitch shall be eligible to compete.

(c) Best of Winners

In each breed there may be one Best of Winners award. This award shall be confined to Winners Dog and Winners Bitch in the breed. Where only one sex is represented by a Winners award, no Best of Winners will be awarded. This award is made following that of Best Opposite Sex unless Winners Dog/Bitch is awarded Best of Breed.

(23-06-17) (d) Best of Breed

In each breed there may be one Best of Breed award. The dogs competing for this award are as follows: Winners Dog/Bitch, all Specials Only dogs, and in the case of a specialty, first place dog/bitch from the Veterans and Field classes.

(e) Best of Opposite Sex

Follows the judging of Best of Breed. Competition is limited to the sex opposite to Best of Breed and to those in that sex that have not been defeated either directly or indirectly by a dog of the same sex.

(12-09-17) (f) Select Dog/Select Bitch

The judge may choose a Select Dog and Select Bitch if there are dogs in the ring eligible for these awards. Select Dog and Select Bitch must be awarded to dogs in the ring competing for Best of Breed. However, the Select awards cannot be given to the Best of Breed, Best of Opposite, Winners Dog or Winners Bitch. At specialty shows, Select Dog and Select Bitch may be awarded to the winners of the Veterans and Field classes in accordance with Section 15.2.1.

(11-03-10) (g) Best Puppy in Breed

Where a dog awarded Best of Breed is not a puppy, those puppies that have not been defeated either directly or indirectly by another puppy in the breed, or have not had an award withheld, will compete for this award. Judging follows the awarding of Best of Breed. A puppy awarded Best Puppy in Breed is not required to stay to compete for Best Puppy in Group.

(23-06-17) (h) Group Awards

At an all-breed and specialty show (one or more groups), a dog awarded Best of Breed by the judge shall compete at the group level of its respective group. A dog excused by the Show Superintendent is exempt from this rule. In the event that the dog designated Best of Breed fails to compete in the group judging, no other dog in the same breed may compete. A judge at the group level may, at his discretion, award first, second, third and fourth placements and indicate same in the judge's book.

(19-06-17) (i) Puppy in Group

All Best Puppies in the breeds. Judging follows the group-level judging. If a puppy is awarded a placing in the regular group, the Best Puppies in those breeds placing higher in the group level compete against that specific puppy for this award. A puppy awarded Best Puppy in Group is not required to stay for Best Puppy in Show.

(j) Best in Show

Those dogs placing first in their respective groups shall compete for this award. Judging follows the completion of all groups.

(k) Best Puppy in Show

Judging for this award shall follow the selection of Best in Show. Only those puppies awarded Best Puppy in their respective group shall compete.

(23-06-17) (l) Reserve Best in Show

Judging for this award shall be awarded at every show and shall precede the selection of Best in Show. The judging of Reserve Best in Show shall be completed by the same judge who judges Best in Show.

(17-03-16) (m) For Top Dog points, Reserve Best in Show total points earned will be the total number of dogs minus the number of dogs defeated in the group from which the Best in Show winner was awarded.

12.3.2 Single-Breed Specialty Show

(20-06-17) The highest awards at a single-breed specialty shall be Best of Breed, Best Puppy in Breed and Best Baby Puppy in Breed, if offered. (See Section 7.3 for ribbon colours.)

12.3.3 Multiple-Breed Specialty Show

(65-06-13) This show is comprised of two (2) or more breeds but not an entire group. Best of Breed, Best Puppy in Breed and Best Baby Puppy in Breed (if offered) are the highest awards to be made. If a club so desires, a Best in Multiple Breed or Best Puppy in Multiple Breed and Best Baby Puppy in Multiple Breed Specialty may be awarded. This is an unofficial award. (See Section 7.3 for ribbon colours.)

12.3.4 Group Specialty Show

(66-06-13) The highest award is Group 1st, Best Puppy in Group and Best Baby Puppy in Group, if offered. (See Section 7.3 for ribbon colours.)

12.3.5 Multiple-Group Specialty Show

(67-06-13) A club whose mandate covers multiple complete groups may offer a Best in Multiple Group Specialty award. These will be confined to the winners of the groups and Best Puppy in the groups, Best Baby Puppy in the groups, if offered. This is an unofficial award. (See Section 7.3 for ribbon colours.)

12.3.6 Breed Booster

(23-06-17) With the approval of the all-breed club, a CKC-recognized specialty club may designate their classes in that show as a booster. All classes, whether regular or non-regular, will be as provided for all breeds at the conformation show. All ribbons and rosettes must be as supplied by the all-breed club.

12.4 Failure to Compete

12.4.1 Except for Puppy in Group or Show, an owner or handler shall be subject to disciplinary action for withholding a dog from competing for higher awards for which that dog is eligible. Any dog so withheld or absent will result in the cancellation of all awards won at that show (unless the dog is excused by the Show Superintendent).

12.4.2 Should a dog be marked absent in an official class, *(69-06-13)* it may still compete in an unofficial or non-regular class at the same show.

12.5 Order of Judging

- 12.5.1 The order of breed and group judging shall be at the discretion of the show-giving club.

12.6 Non-Regular Classes

- 12.6.1 The non-regular classes allowed at a CKC conformation show shall be as described in this section. If offered, these classes must be included in the premium list. A dog entered in the Brace or Team class that is spayed/neutered must be entered in an Altered class or in Exhibition Only.

(21-06-17) (a) Baby Puppy Class

Dogs three (3) months of age and under six (6) months of age on the day of the show. The award for this class are:

Best Baby Dog and Best Baby Bitch

Best Baby Puppy in Breed

Best Baby Puppy in Group

Best Baby Puppy in Show

A Baby Puppy awarded Best Baby Puppy in Breed is not required to stay to compete for Best Baby Puppy in Group. A Baby Puppy awarded Best Baby Puppy in Group is not required to stay to compete for Best Baby Puppy in Show.

(16-12-12) (b) Veterans

In this optional class for all-breed shows, dogs must be seven (7) years of age and over on the day of the show. Dogs entered in this class may be spayed or neutered. The awards for this class are:

Best Veteran Dog and Best Veteran Bitch

Best Veteran in Breed

Best Veteran in Group

Best Veteran in Show

A Veteran awarded Best Veteran in Breed is not required to stay to compete for Best Veteran in Group. A Veteran awarded Best Veteran in Group is not required to stay to compete for Best Veteran in Show.

(16-12-12) (c) Brace Class

(23-06-17)

At an all-breed or specialty show a club may, but is not required to, offer a Brace class. This class shall be for two (2) dogs of the same breed (not necessarily of the same sex). A Brace should be

judged as an identical pair – same colour, size, gait and same stride. When viewed from the side they should appear as one dog and its shadow. A brace must be handled by one (1) person on one (1) lead.

(16-12-12) (d) Team Class

The requirements for this class are the same as those for the Brace class except that four (4) dogs shall be entered.

(22-06-17) (e) Order of Judging

When any or all of the above described non-regular classes are offered, and including Altered classes as described in Chapter 13, these classes will be judged after Best Puppy in Breed, after Best Puppy in Group and before Best in Show, in the following order:

Baby Puppy

Veterans

Altered

Brace

Team

(f) Puppies 3-6 Months (Exhibition Only)

(i) Dogs three (3) months of age and under six (6) months of age on the day of the show may be entered in Exhibition Only, providing that the owner of the puppies has also entered a dog in one of the regular official classes.

(ii) Puppies in this category may enter and compete in sweepstakes if offered. If entered in sweepstakes, they must be listed in the catalogue.

(iii) A club may limit the number of three- to six-month-old puppies that may be entered by a single exhibitor and this limit shall be stated in the premium list.

(iv) A club may limit the overall number of three- to six-month-old puppies that may be entered and this limit shall be stated in the premium list.

(g) Exhibition Only

All dogs entered in this class shall be listed in the catalogue with the same particulars as dogs entered in regular competitions. Dogs entered in this class may not compete in any regular class but may enter and compete in non-regu-

lar classes and/or Parades if provided for in the premium list.

(h) Classes/Awards Available At Specialty Shows Only

(i) Best Canadian Bred in Specialty

A specialty club may elect to offer a Best Canadian Bred award. If offered, this award must be made at the breed level and, if applicable, at the group level. All Canadian-bred dogs not directly or indirectly defeated by another Canadian-bred dog shall be eligible to compete for this award.

(ii) Best Canadian Bred Puppy in Specialty

A specialty club may elect to offer a Best Canadian Bred Puppy instead of Best Puppy but may not offer both. This award replaces the Best Puppy and all Canadian-bred puppies in the breeds not directly or indirectly defeated by another Canadian-bred puppy are eligible to compete at both the breed and group levels for this award.

(iii) Stud Dog and Get

A specialty club may, but is not required to, offer a Stud Dog and Get class. This class shall be comprised of the stud dog and two (2) or more of his get. Ownership in this class need not be identical. The stud dog may be neutered and must be entered in a regular class or in Exhibition Only. Get must be entered in a regular class.

(iv) Brood Bitch and Progeny

This class shall have the same requirements as the Stud Dog and Get class. (The brood bitch may be spayed.)

(96-06-13)

(v) Award of Merit

This award will be made after the Best of Breed judging. A specialty club may offer one Award of Merit for every 10 dogs competing at Best of Breed level. If this award is to be made, it must be in the premium list and the criteria must be fully explained.

Where Awards of Merit are offered, these awards are made by the judge after the awarding of Best of Breed, Best of Opposite Sex, Best of Winners, Select Dog and Select Bitch from the dogs remaining in the ring.

12.7 Parades

12.7.1 Dogs entered in parades must be entered in a regular class or in Exhibition Only. Spayed and neutered dogs or dogs in unorthodox trim may be entered in a parade. Details of parades must be included in the premium list.

12.7.2 Parade of Champions

A club may offer a Parade of Champions. Dogs entered in the Parade must have completed all requirements for a CKC championship.

12.7.3 Parade of Veterans

A club may offer a Parade of Veterans for dogs seven (7) years of age or older.

12.8 Stakes/Sweepstakes

12.8.1 Dogs entered in stakes/sweepstakes must be entered in one of the regular official classes or, in the case of *(23-06-17)* Baby Puppies, in the Baby Puppy class or in Puppies 3-6 Months (Exhibition Only) – see 12.6.1 (f) (ii). If offered at a sanction match, the dog or puppy must be entered in the match.

12.8.2 A show-giving club may offer one or more sweepstakes at its shows or sanction match. The conditions regarding the entry, prizes and judges must be listed in the premium list. The show-giving club shall not retain more than 25% of the total entry fees to cover its expenses.

12.8.3 The following stakes/sweepstakes may be offered by *(66-12-12)* a club:

- (a) Sweepstakes: 3-6, 6-9, 9-12 and 12-18 (or 12-15 and 15-18) months of age.
- (23-06-17)* (b) Veterans Sweeps: dogs over seven (7) years of age. At a veterans sweepstake held by a specialty club the classes may be divided in the manner as provided for regular Veterans class under 12.2.1 (h).
- (c) Breeder Sweeps: each dog must be handled by its breeder but does not have to be owned by its breeder.
- (d) Spayed and neutered dogs may compete in Veterans provided they are also entered in Exhibition Only.

-
- 12.8.4 Judging of sweepstakes may run concurrently with the judging of the regular classes but must not interfere with same.

12.9 Unofficial Classes

- 12.9.1 A club may hold an unofficial class, the details of which must be published in the premium list. This class must be held after the Breed/Group, Best in Show and any non-regular class judging.
- 12.9.2 Altered dogs must be entered in a regular class as outlined in these rules or in Exhibition Only to be eligible to compete.
(23-06-17)

13 ALTERED DOG CLASS

13.1 General

- 13.1.1 This class is available at all shows as an optional class.
(51-06-12)
- 13.1.2 For the purposes of this section, “altered” shall mean dogs that have been spayed or neutered by veterinary procedure.
(16-12-12)
- 13.1.3 All rules and regulations in the Conformation Rules & Regulations shall apply to this class unless otherwise specified in this section.

13.2 Date Approval

- 13.2.1 A show-giving club may, but is not required to, offer competition for sexually altered dogs.
- 13.2.2 Application for date approval must indicate that these classes are being offered.

13.3 Judging of Altered Classes

- 13.3.1 The breed standards for each breed shall be followed except as defined in this section.
- 13.3.2 All disqualifications shall apply except for those that disallow sexually altered dogs from regular conformation competition.
-

-
- 13.3.3 Judges shall judge this class as if judging regular conformation classes. Withholding of awards for lack of merit is encouraged.

13.4 Eligibility for Altered Classes

- 13.4.1 Eligibility for the altered classes shall be limited (51-06-12) to dogs over six (6) months of age that have been spayed or neutered by veterinary procedure.

- 13.4.2 Points may not be carried from the regular competition judging to the altered class judging.

13.5 Disqualification

- 13.5.1 Judges shall disqualify any dog showing evidence of the presence of testicles or any bitch showing evidence of estrus.

- 13.5.2 Exhibitors who enter a dog that has not been sexually altered shall have all awards for the dog cancelled, and the owner shall be subject to disciplinary action.

13.6 Classes & Awards

- 13.6.1 These classes shall be for any spayed or neutered (16-12-12) dogs over six (6) months of age. The dogs referred to in paragraphs (a) through (c) will be judged after the judging of the Best Puppy in Breed in the regular classes, and after Baby Puppy and Veteran classes, if offered.

- (16-12-12) (a) **Winners Altered Dog/Bitch**

In each breed, there may be one such award in each sex.

- (b) **Reserve Winners Altered Dog/Bitch**

The second-place dog/bitch shall be given this award.

- (c) **Best Altered in Breed**

In each breed, there may be one Best Altered award. This award shall be confined to the Winners Altered Dog/Bitch.

- (16-12-12) (d) **Best of Opposite Sex Altered**

- (16-12-12) (e) **Best Altered in Group**

A dog awarded Best Altered in Breed shall compete for this award in its respective group, unless excused by the Show Superintendent. A

judge at his discretion, may award first, second, third and fourth placements and indicate same in the judge's book. The judging of this award is to be done after the judging of Best Puppy in Group, and after Best Baby Puppy in Group and Best Veteran in Group, if offered.

(f) **Best Altered in Show**

Those dogs placing first in their respective groups shall compete for this award. Judging follows the completion of all groups, before Best in Show and after Best Baby Puppy in Show and Best Veteran in Show, if offered.

13.7 Specialty Shows

13.7.1 Single-Breed Specialty Show

The highest award at a single-breed specialty shall be Best Altered in Breed.

13.7.2 Multiple-Breed Specialty Show

This show is comprised of two (2) or more breeds but not an entire group. Best Altered in Breed is the highest official award to be made. If a club so desires, a Best Altered in Multiple-Breed Specialty may be awarded. This is an unofficial class. (See Section 7.3 for ribbon colours.)

13.7.3 Group Specialty Show

The highest award is Altered Group 1st.

13.7.4 Multiple-Group Specialty Show

A club whose mandate covers complete groups may offer a Best Altered in Multiple-Group Specialty award. This will be confined to the winners of the groups included in the specialty. This is an unofficial award. (See Section 7.3 for ribbon colours.)

13.8 Champions & Championship Points

13.8.1 *(83-06-16)* Championship points will be awarded as per Chapter 15, with the exception of 15.1.11. The winner of an Altered Best in Show shall be awarded points according to the total number of dogs in competition following the point schedule in Section 15.1.2.

14 **DISQUALIFYING OR EXCUSING DOGS**

14.1 **Disqualifications**

14.1.1 A judge shall disqualify a dog if, in his opinion, it is blind (in one or both eyes), deaf, castrated, spayed, or its appearance is changed by artificial or surgical means other than those recognized by the standard for its breed or has a fault listed as a disqualification in its breed standard.

14.1.2 Disqualifying or Excusing (12-12-16)

(58-06-17) (a) The judge shall have the authority to disqualify or excuse a dog that menaces, threatens or attempts to bite the judge, another person or any dog in the ring. If a dog is twice excused for any combination of these actions, it shall have the status of a disqualified dog. The judge shall also have the authority to disqualify or excuse a dog that attempts to bite, or bites in response to an attack from another dog.

(58-06-17) (b) The judge shall disqualify or permanently disqualify a dog that bites the judge, another person or any dog in the ring. Dogs permanently disqualified under this provision will not be eligible for reinstatement. The decision to permanently disqualify a dog must be clearly indicated on the judge's disqualification form.

14.1.3 When a judge disqualifies or excuses a dog, the disqualification or excusal and reason thereof must be recorded in the judge's book. The judge must also fill out the Judge's Disqualification/Excusal Form. The owner or handler of the dog must be advised of said reason and must be provided with the yellow copy of the Judge's Disqualification/Excusal Form before leaving the ring. A dog that has been disqualified shall not receive any ribbon, prize or award. In such cases, the CKC may order that any previous awards be cancelled and all ribbons and/or prizes be returned.

14.1.4 Once a dog has been disqualified for any reason at a conformation show, it may not be entered or shown at another show until the dog has been reinstated by the CKC. All awards earned by a dog shown in violation of this section will be cancelled by the CKC and the owner of the dog is subject to disciplinary action.

A dog disqualified under Section 14.1.2 (b) is not eligible for reinstatement.

14.1.5 Any dog that is disqualified under Section 14.1.2
(19-03-16) shall automatically be disqualified from entering in any CKC event in any other discipline until such time as the dog is officially reinstated, if the dog is eligible for reinstatement.

14.2 Excusing

14.2.1 A judge shall excuse a dog if, in his opinion, any of the following conditions are present:

- (a) two testicles are not located in the scrotum. If a dog is excused at three (3) shows for this condition, the dog has the same status as a disqualified dog;
- (b) lameness. If a dog is excused for lameness at three (3) conformation shows within a 60-day period, the dog has the same status as a disqualified dog;
- (c) the normal colour of a dog's coat or skin has been changed by the use of dye, chalk or other substance;
- (d) if a foreign substance is present in the coat or if a spray or other substance is applied to the dog's coat while in the ring;
- (e) if the dog is under the influence of a drug or other substance;
- (f) a dog entered in Specials Only shall be identified by gender in the judge's book and if incorrectly entered and the error substantiated by the Show Secretary or Show Superintendent, shall be excused from the ring by the judge;
- (28-03-14) (g) if a dog is unable to be examined. If a dog is excused three (3) times for not being able to be examined, it shall have the same status as a disqualified dog;
- (24-06-17) (h) Baby puppies should not be excused for lack of testicles, meeting minimum height or dentition.

14.2.2 Biting (See Disqualifications, Section 14.1.)

14.2.3 A dog that bites or attempts to bite another dog or
(71-09-16) a person may be removed from the event grounds for the duration of the event by the Show Superintendent.

-
- 14.2.4 Only the Show Superintendent may excuse a dog or exhibitor from the show prior to the official time of closing.
 - 14.2.5 When a dog has been excused or given permission to be removed by the Show Superintendent, a notation shall be made in the judge's book stating "excused" and the reason for same. This shall be initialed by the judge.
 - 14.2.6 The Show Superintendent shall endorse a permit issued by the veterinarian for a dog excused for illness. Dogs so excused may not compete for any awards after being excused.
 - 14.2.7 At the discretion of the judge, exhibitors are permitted to use water, ice, etc., within reason, to keep the dogs cool in cases of extremely high temperatures.

14.3 Reinstatement

- 14.3.1 The owner of a dog that has been disqualified at a show held under these rules may, after 30 days from the date of said disqualification, apply in writing to the CKC for reinstatement of the dog, unless the dog is ineligible for reinstatement as per Section 14.1.2 (b). The request for reinstatement must be accompanied by a deposit as set by the Board.
(19-03-16)
- 14.3.2 After the examination, the Examining Committee shall submit its report to the CKC who, in turn, will advise the owner of the results. If reinstated, half of the deposit will be returned to the owner. If not reinstated, the deposit is forfeited to the CKC.
- 14.3.3 Reinstatement of a dog following an examination as set forth in this section in no way affects the right of a judge to again disqualify the dog for the same or other reasons.

15 CHAMPIONSHIP POINTS & CANCELLATIONS

15.1 Championship Points

- 15.1.1 A dog awarded Winners at a conformation show shall be credited with a number of championship points (ranging from 0 to 5) and the number of

championship points credited to a dog awarded Winners shall be as provided hereunder.

- 15.1.2 The schedule to be employed in the determination (67-09-10) of the number of points awarded Winners shall be as follows:

*Dogs Competing	1	2	3 to 5	6 to 9	10 to 12	13 & More
Points Allocated	0	1	2	3	4	5

*Includes the dog awarded Winners

In counting the number of eligible dogs in competition, a dog that is disqualified, dismissed, excused or ordered from the ring by the judge shall not be included in the calculation for championship points.

- 15.1.3 If a dog awarded Winners is also awarded Best of Breed at the show, then all dogs competing in the breed, including Specials Only, shall be included in the total.
- 15.1.4 If a dog awarded Winners is also awarded Best of Opposite Sex to Best of Breed, then all dogs of the same sex including those competing in Specials Only shall be included in the total.
- 15.1.5 If a dog awarded Winners is also awarded Best of Winners, then all dogs defeated directly or indirectly in the breed shall be included in the total.
- 15.1.6 If a dog is awarded Winners only, then all the dogs of the same sex in the class competition shall be included in the total.
- 15.1.7 The number of championship points to be credited to a dog awarded Winners shall be determined by the highest award earned and calculated as per this section.

Clarification:

Example of directly or indirectly defeating: If the Winners Bitch is awarded Best of Opposite Sex but not Best of Winners, the Best of Winners Dog shall be deemed to have indirectly defeated the Specials bitches, and is thus entitled to add them to the number of dogs and bitches defeated.

- 15.1.8 In addition to championship points allocated at the (26-06-17) breed level, a dog awarded Best of Breed that also places in the regular group competition shall be credited with the following additional points provided that a dog was defeated at the group level.

Number of Dog Competing at Group Level	Dog Placed First	Dog Placed Second	Dog Placed Third	Dog Placed Fourth
13 or more	5	4	3	2
10 to 12	4	3	2	1
6 to 9	3	2	1	1
5	2	1	1	1
4	2	1	1	0
3	2	1	0	0
2	1	0	0	0
1	0	0	0	0

- 15.1.9 A dog may not be credited with more than five (5) championship points in a single show.
- 15.1.10 *(33-06-11)* Permission shall be granted a club or clubs to hold shows in such a way that any dog may earn three (3) sets of championship points on the same day, provided that one or more of those sets of points is awarded at a specialty for that breed or group.
- 15.1.11 *(26-06-17)* A dog awarded Winners that also places Best in Show at an all-breed conformation show shall be credited with five (5) championship points inclusive of any points earned at the breed and group level.
- 15.1.12 In order for a dog to be recognized as a champion and its owner provided with a championship certificate, the dog must:
- (a) earn at least 10 championship points under at least three (3) different judges;
 - (b) be registered in the records of the CKC, have an Event Registration Number (ERN) or have a Miscellaneous Certification Number (MCN);
 - (c) have earned at least one 2-point win either at the breed or group level.
- 15.1.13 The Board interprets the words “earn at least 10 championship points under 3 different judges” to mean:
- (a) Three (3) or more Winners awards at not less than three (3) different shows, under three (3) different judges at the breed level;
 - (06-03-10)*
(26-06-17) (b) each of the three (3) judge’s awards must be one or more championship points won at Winners, Best of Winners, Best of Breed or group placing;
 - (06-03-10)* (c) all points required for championship status may be earned at Winners, Best of Winners, Best of Breed or group placing.

15.2 Grand Champion (GCh) (47-06-12)

15.2.1 The title of Grand Champion may only be earned after the completion of the CKC conformation championship.

15.2.2 Points for this title are only accumulated after the completion of the conformation championship and do not include the points earned in attaining the conformation championship.
(82-06-16)

15.2.3 To be awarded a Grand Champion title, a dog must attain a minimum of 20 points, which must include a minimum of two (2) wins of at least two (2) points each. Points may be gained at breed, group or Best in Show/Specialty level. Only the highest points earned at a single show are carried forward.
(82-06-16)

(82-06-16) (a) Grand Champion Point System
(26-06-17)

Points towards the Grand Champion title, at breed level, are awarded to the Best of Breed, Best of Opposite Sex, Select Dog and Select Bitch. Points are calculated based on the number of animals competing at the breed level for the Best of Breed winner and the number of similar-sex dogs competing for the other three (Best of Opposite, Select Dog, Select Bitch). The following schedule shall be employed in the determination of points awarded at breed level:

*Dogs Competing	1	2	3 to 5	6 to 9	10 to 12	13 & More
Points Allocated	0	1	2	3	4	5

Points awarded beyond breed level shall be:

Number of Dog Competing at Group Level	Dog Placed First	Dog Placed Second	Dog Placed Third	Dog Placed Fourth
13 or more	5	4	3	2
10 to 12	4	3	2	1
6 to 9	3	2	1	1
5	2	1	1	1
4	2	1	1	0
3	2	1	0	0
2	1	0	0	0
1	0	0	0	0

Best in Show (5 points)

(82-06-16) (b) In order to obtain a Grand Champion title, a dog must obtain at least two (2) points after 12 months of age.

In counting the number of eligible dogs in competition, a dog that is disqualified, dismissed, excused or ordered from the ring by the judge shall not be included in the calculation for Grand Champion points.

- 15.2.4 The title of Grand Champion shall not be awarded retroactively and all points towards this title must be achieved after the date of January 1, 2013.

15.3 **Grand Champion Excellent (GChX)** *(48-06-12)*

- 15.3.1 The title of Grand Champion Excellent may only be earned after the completion of the CKC grand championship title.

- 15.3.2 Points for this title may be accumulated at any time *(76-09-16)* after the completion of the CKC grand championship but does not include the points earned in attaining the conformation championship or the grand championship.

- 15.3.3 A minimum of 100 points, which must include one (1) Best in Show or a Best of Breed at a breed national specialty (where a minimum of 10 dogs have competed) or a Best in Multiple-Breed Specialty with at least three (3) breeds represented plus three (3) Group 1st or three (3) breed specialty wins.

Grand Champion Excellent point system

Win	Points
First in Group or Best in Specialty Show	5
Second in Group or Best of Opposite Single-Breed Specialty Show	4
Third in Group	3
Fourth in Group <i>(Note: No points are acquired if no other dog is present in the group.)</i>	2
Best of Breed <i>(To earn the breed point, at least five (5) dogs must be shown at breed level.)</i>	1
Best in Show or Best in National Specialty Show	10

- 15.3.4 Only the highest points earned at a single show are carried forward. For example, a dog that wins first in group and then wins Best in Show, earns 10 points, not 15.

- 15.3.5 The title of Grand Champion Excellent shall not be awarded retroactively. However, dogs that have been awarded the Grand Champion title prior to

January 1, 2013, will be awarded the Grand Champion Excellent title on application to the CKC.

15.3.6 Additional Requirements

(26-09-15) To attain a Grand Champion Excellent title, a dog must have been awarded a CKC performance title from any CKC event. A CGN, Herding Tested certificate or Chase Ability Program title are not considered performance titles for the awarding of this title.

15.4 Cancellations

15.4.1 Any contravention of CKC rules may cause a win to be cancelled except as stated within these rules.

15.4.2 If the award of Winners Dog or Bitch is cancelled, the points at that level will be awarded to the Reserve Winners Dog or Bitch. No further points or awards acquired by the dog whose wins were cancelled will be awarded.

15.4.3 Where a violation of the Conformation Rules & Regulations has taken place in the opinion of the Discipline Committee, it shall have the authority to declare cancelled all awards earned by the dog at the show in which such violation occurred.

15.4.4 Where a protest is sustained by the show-giving club and/or the Discipline Committee as provided in these rules, the Discipline Committee shall have the authority to order cancelled all wins earned by the dogs concerned.

15.4.5 If the win of a dog is cancelled, the exhibitor or handler of the dog must return all ribbons, money or special prizes that have been received for its win to the secretary of the show-giving club within 21 days of the receipt of notice from the CKC of said cancellation. The show-giving club shall, in each instance of failure to comply with this rule, notify the CKC and the CKC may take such action as it deems advisable.

16 SANCTION MATCH

16.1 General

- 16.1.1 The club shall appoint a match superintendent, secretary, chief ring steward and at least one steward for each ring. The duties of these officials shall be the same as those at approved conformation shows and shall carry the same authority.
- 16.1.2 All match committee members, judges and stewards must wear identification badges.
- 16.1.3 Each ring must be divided by a rope, curtain or fence at least two (2) feet high and be equipped with sufficient matting to facilitate gaiting, water, towels, ring numbers and placards for the placements.
- 16.1.4 A dog awarded Best in Match is entitled to be designated as same.
- 16.1.5 The use of a Best in Show sign is prohibited and a club must ensure no pictures taken at the match will have a Best in Show sign included in same.
- 16.1.6 A sanction match must be organized so that judging will be completed by 11:00 p.m.
- 16.1.7 An observer from the CKC may attend the match to observe how it is being conducted. Do not hesitate to ask for advice or assistance if a problem arises or assistance is required.
- 16.1.8 A copy of these rules must be posted in a prominent location at the match.

Remember ...

A clean match is a successful match and to accomplish this, a good clean-up crew is a must.

16.2 The Match

- 16.2.1 A sanction match is a competition at which only recognized and listed breeds may compete but not for championship points. It is a training ground for the officials, judges, stewards, handlers and dogs.
- 16.2.2 As far as practicable, set-up and procedure should follow that of approved conformation shows.

-
- 16.2.3 A dog must be handled in the ring by the owner or member of the immediate family or by a person who will not receive any monetary consideration.
 - 16.2.4 All disqualifications as per the breed standards and the Conformation Rules & Regulations shall prevail at sanction matches, except for dogs under six months of age on the day of the match.
 - 16.2.5 A judge at a sanction match shall excuse a dog that has a disqualification as outlined in the breed standard or Conformation Rules & Regulations and shall inform the exhibitor why the dog is being excused from competition.

16.3 Dates

- 16.3.1 Dates must be applied for not less than 60 days prior to the date of the match and on an application form procured from the CKC Board Member representing that zone. The application shall be completed in full and returned to the CKC Board Member for that zone.
- 16.3.2 When approved, one copy will be retained by the local CKC Board Member, one copy will be returned to the club and the third copy will be forwarded to the CKC Shows & Trials Division.
- 16.3.3 Dates will be on a first-come, first-served basis. It will be at the discretion of the local CKC Board Member to fix policies as to time and distance between events in order to prevent a conflict.

16.4 Judges

- 16.4.1 The match-giving club shall have the responsibility of selecting judges with at least five years' experience as a breeder and/or exhibitor, with preference given to those persons who have aspirations of becoming judges.
- 16.4.2 All judging assignments must be made in writing by the club and confirmed in writing by the judge.
- 16.4.3 The judges' books should follow the format of the sample provided in these rules. Only one copy is required and it shall be completed by the judge and signed by him at the completion of the assignment. It is the responsibility of the match-giving club to provide these sheets at the match.

-
- 16.4.4 The judges' sheets shall only contain the armband numbers as worn by each exhibitor in the ring.
- 16.4.5 The awards shall be transferred to the group and Best in Match sheets by the steward, match superintendent or secretary. Group and general Specials judging sheets will be provided by the CKC if requested.
- 16.4.6 The club will be responsible for supplying each judge with the Verification of Sanction Match/Sweepstakes Judging Assignment form and the judging sheets for their assignments within 14 days of the match. These shall be retained by the judge for future reference if and when needed.

16.5 Entries

- 16.5.1 At their option, match-giving clubs may provide blank entry forms for the exhibitors to complete when entering the match. If used, the information needed is breed of dog, class entered (colour or size if divided), name of dog (call name is acceptable), age, sex, name and address of owner.
- 16.5.2 A club may elect to specify a closing date or to accept post entries. If the latter is employed, entries may be accepted until the start of the breed to be entered.

16.6 Classes & Awards

- 16.6.1 Classes must be provided for

Puppy Dog

- 3-6 Month
- 6-9 Month
- 9-12 Month

Puppy Female

- 3-6 Month
- 6-9 Month
- 9-12 Month

The age groups in each of the above sexes may be combined if entries do not warrant separate classes.

- Open Dog
- Open Bitch

The Open classes may be combined if only one entry is received for each sex.

16.6.2 The winners in each class will compete for
(27-06-17)

- Best Dog
- Best Bitch
- Reserve Dog
- Reserve Bitch

Reserve winners will be for dogs and bitches undefeated by any dog except the Best Dog or Bitch.

- Best of Breed
(Best Dog and Best Bitch compete)
- Best Puppy
(All puppies undefeated by another puppy)
- Best of Opposite Sex
(Awarded to the Best of the sex opposite to Best of Breed)

16.6.3 A club must provide for a Graduate class for all dogs and bitches with five (5) or more championship points in any country (Champions included). Entries will be placed first, second, third, fourth. Judging of the Graduate class shall follow Best of Breed and/or Best Puppy in Breed.

16.6.4 A club must offer a Best Graduate in Group and Best Graduate in Match. These awards will follow the judging of the group and be before Best in Match.

16.6.5 The following classes may be offered and will be
(28-06-17) judged after the Graduate classes:

- Sexually Altered Dog
- Sexually Altered Bitch
- Best Sexually Altered in Breed
- Best Sexually Altered in Group
- Best Sexually Altered in Match

16.7 Ribbons

16.7.1 All ribbons (or cards) given at a sanction match shall have the words "CKC Sanction Match," the name of the club, and the award on them. Colours shall be as follows:

First	Gold
Second	Rose
Third	Beige
Fourth	Grey

Best Dog/Bitch	Gold
Reserve Dog/Bitch	Spring (Lime) Green
Best of Breed	Green
Best of Opposite Sex	Rust
Best Puppy in Breed	Pink
Best Altered Dog/Bitch	Orange

Groups

Same colours as in first through fourth above, longer ribbons or rosettes could be used.

Best in Match	Green
Best Puppy in Match	Pink
Best Graduate in Breed, Group & Match	Brown
Best Altered in Breed, Group, Match	Brown & White

17 PROTESTS AGAINST A DOG (28-06-17)

17.1 (21-03-16) A protest against a dog may be made by an exhibitor, handler, any member of the CKC or a member of the club holding the event in the following manner:

- (21-03-16) (a) A protest should be lodged with the Event Superintendent before the closing of the event and must be in writing, on a form provided by the CKC (or facsimile thereof). A hearing shall be held prior to the departure of all parties. No protest will be entertained unless accompanied by a deposit. This deposit shall be returned if the protest is sustained. If the protest is not sustained, the deposit will be forwarded to the CKC with the event committee's report.
- (21-03-16) (b) If the protest cannot be filed at the event because of circumstances requiring medical and/or veterinary attention, or if the dog has been removed from the grounds by the Show Superintendent pursuant to section 5.1.4, or if the owner and the dog leave the grounds immediately following the incident, the protest may be submitted directly to the CKC within 10 days of the event. All such protests shall constitute complaints under the

CKC's By-laws and the provisions of same shall apply.

- (21-03-16) (c) If the protest is filed directly to the CKC, reasons should be provided as to why the protest could not be filed with the Event Superintendent.
- 17.2 (14-09-17) The show-giving club shall name a minimum of three (3) members to form a Conformation Show Committee to act on any protest received by the show-giving club.
- 17.3 Written copies of all decisions on protests must be forwarded immediately to the Discipline Committee of the CKC. The Discipline Committee may take such action as it deems fit in connection with such protests, provided no appeal is submitted to the CKC within 10 days of the date on which the Conformation Show Committee decision was rendered. Such action may include barring the dog from future CKC-approved events, imposition of an administrative fee and/or cancellation of awards. The fact that the Conformation Show Committee did not sustain a protest in no way inhibits the right of the Discipline Committee to take such action as it deems advisable.
- 17.4 An appeal to the Discipline Committee of the CKC, from a decision of a Conformation Show Committee where a dog has been protested, must be forwarded to the CKC within 10 days of the date on which the decision was rendered, together with a deposit.
- 17.5 If a show-giving club fails to hear a protest as prescribed above or, in the opinion of the Discipline Committee, improperly handles a protest, the Discipline Committee shall have the authority to take such action as it deems fit and necessary, and it may at the same time take disciplinary action against the officials of the show-giving club concerned.

18 COMPLAINTS

- 18.1 A complaint against a person respecting a violation of the rules and regulations related to shows must be in writing on a form issued by the CKC (or facsimile thereof) and must be accompanied by a deposit. A complaint, if sustained, will result in disciplinary action. A deposit is not required on a complaint alleging that a judge officiating at a show held under
-

these rules and regulations has been subject to indignities of any kind during the progress of the show.

- 18.2 A complaint should be lodged with the superintendent of the show-giving club no later than 15 minutes after the completion of the judging of the show or should the complainant choose to do so, a complaint may be submitted directly to the CKC within 10 days of the show. All such complaints shall constitute complaints under the CKC's By-laws and the provisions of same shall apply.
- 18.3 Any complaint against the club holding the show or any of its officials must be submitted directly to the CKC within 10 days of the show. All such complaints shall constitute complaints under the CKC's By-laws and the provisions of same shall apply.
- 18.4 A complaint shall be restricted to any of the following:
- (a) an act of omission or commission on which is based an allegation of a violation of these Conformation Rules & Regulations;
 - (b) any act on which an allegation of misconduct is based;
 - (c) the alleged failure of an officiating judge to excuse or remove from competition a dog for which a provision for excusing or removal appears in these rules and regulations, or in a relevant breed standard.
- 18.5 *(14-09-17)* The show-giving club shall name a minimum of three (3) members to form a Conformation Show Committee to act on the complaint received by the show-giving club.
- 18.6 When a complaint is received against a judge by the show-giving club, the club shall hold a hearing while all parties are still in attendance. The report and all statements given by all parties will be forwarded to the Discipline Committee along with the deposit from the complainant. The Conformation Show Committee will not render a decision but will collect all pertinent information.
- 18.7 Upon receipt of a complaint (other than against a judge), the Conformation Show Committee of the show-giving club shall conduct an investigation as soon as possible, and within 14 days of receipt of such complaint shall conduct a hearing in accordance with procedures set out in the Procedure for Conducting a Conformation Show Committee Hearing as provided in these rules and regulations.

-
- 18.8 The Conformation Show Committee shall then promptly forward the complaint, the deposit and a record of the hearing together with its recommendation on the disposition of the complaint to the CKC. Copies of the record of the hearing and the committee's recommendation will be forwarded to the parties concerned at the same time.
- 18.9 Notwithstanding any contrary provisions in these rules and regulations, the procedure specified herein for dealing with complaints shall govern.
- 18.10 Disciplinary action will be taken against any show official and the show-giving club of which they are an official when it is established to the satisfaction of the CKC that an attempt was made to discourage the submission of a complaint.
- 18.11 Disciplinary action will be taken against a show-giving club that fails to properly deal with complaints as provided for in these rules and regulations.

19 DISCIPLINE

- 19.1 The Discipline Committee may take disciplinary action against any club, member, person, partnership, company or organization of the CKC for any act of omission or commission that violates any section or sections of the rules and regulations for CKC conformation shows. Such action will be taken as provided for in the By-laws of the CKC.
- 19.2 No person shall abuse a dog on the grounds or premises of a show, or conduct themselves in a manner prejudicial to the best interests of the event.
- 19.3 Any club, member, person, partnership, company or organization availing themselves of the privilege of participating in any capacity or manner whatsoever at a show shall, by such participation, be deemed to have agreed to the authority of the CKC and its Board as conferred on the CKC by its By-laws and all other rules and regulations adopted by the CKC.
- 19.4 At its discretion and subject to the appeal process, the Discipline Committee may cancel any or all wins or qualifying scores earned by a dog owned by a person debarred, deprived, suspended or expelled of all privileges of the CKC when such

wins were earned following the date on which such act occurred that resulted in disciplinary action.

- 19.5 The administration of a drug or any substance, in any form, to a dog competing at a show, which alters the nervous system by stimulation, sedation or tranquilization, shall be considered as misleading the judge and will be considered misconduct. The person or persons responsible will be subject to disciplinary action in accordance with this section.
- 19.6 Any person, either within or outside the judging ring, who does anything calculated to attract, distract or otherwise interfere in any way with the attention or deportment of a dog under judgment may be disciplined by the Discipline Committee in whatever way it considers in the best interests of the club, or the judge may take summary action.
- 19.7 (89-06-13) It shall be the duty and obligation of the show-giving club to see that a judge, club official, volunteer or any participant at an event held under these rules is not subject to indignities. The Conformation Show Committee Chair shall promptly report to the CKC any infringement of this regulation, and the CKC shall have the authority to take such action as it deems fit on receipt of a report indicating that this has occurred. A copy of this regulation shall be prominently placed in every premium list and catalogue.

20 PROCEDURE FOR CONDUCTING A CONFORMATION SHOW COMMITTEE HEARING

- 20.1 It is essential that the defendant be given the opportunity to be present during the whole hearing and to testify and present his own witnesses. If a defendant refuses to attend or defend himself, the hearing may proceed without him. In notifying the defendant of the hearing, it is essential that he be informed specifically of the nature of the charges against him and that a record of such notice be made.
- 20.2 The complainant must also be informed of the hearing and allowed to be present throughout the whole hearing.

-
- 20.3 Both the complainant and defendant should be informed that they may be represented by legal counsel or an agent at the hearing if they choose but this is not necessary.
- 20.4 The chair shall call the meeting to order and then announce: “We are proceeding by reason of our appointment to the Conformation Show Committee by (name of show-giving club).”
- 20.5 The chair shall identify all persons present and the reason for their presence (i.e., complainant, defendant, witness) and then ask the witnesses to withdraw until required to give evidence. After giving evidence a witness may be excused.
- 20.6 The complaint shall be read; however, if the complainant and defendant agree, it may be necessary to relate only the substance of the complaint as set out on the official complaint form.
- 20.7 The chair shall ask the defendant whether he admits or denies the complaint as it has been read or stated.
- 20.8 The complainant shall give evidence on the complaint. He may then be questioned by the defendant. At the chair’s invitation, any member of the committee may question the complainant. If the complainant has brought witnesses, each witness may then give evidence individually. Each witness may be questioned by the defendant or any member of the committee. Each witness is to leave the hearing after evidence has been given.
- 20.9 Upon completion of the evidence given by the complainant and any witnesses appearing on his behalf, the defendant may then give evidence and may then be questioned by the complainant or any member of the committee. If the defendant has brought witnesses, each witness may then give evidence individually. Each witness may be questioned by the complainant or any member of the committee.
- 20.10 The chair may then call any other witness that the committee considers appropriate to the proper hearing of the complaint.
- 20.11 The complainant may then have the opportunity of summing up the complaint and the evidence presented in support thereof.
- 20.12 The defendant shall have the opportunity of summing up his defence and any evidence presented in support of his defence.
-

-
- 20.13 The chair shall announce that the committee will be submitting a report on the hearing together with its recommendation on the disposition of the complaint to the Discipline Committee of the CKC and the parties concerned. All but the committee members shall be dismissed so that the matter may be considered.
-

21 PARTICIPATION

- 21.1 The participation in any manner or in any capacity at a competitive event held under these rules shall be considered a privilege accorded to any person by the CKC and such privilege may be extended and withdrawn by the Discipline Committee.
- 21.2 Any person availing himself of the privilege of participating in any manner, shape or form and in any capacity, including that of a spectator at a competitive event held under these rules shall, by such participation, be deemed to have agreed to the authority of the CKC and its Board.
- 21.3 No person who has been expelled, deprived of privileges, suspended or debarred by the CKC may enter a dog, compete, exhibit, judge, act as agent or handler for any competitor, take a dog into any competition or be connected in any capacity with competitive events held under these rules.
- 21.4 A club holding a show under these rules shall not engage, in any capacity, a person who is under suspension or expulsion, debarred or deprived of privileges by the CKC.
- 21.5 Any person who has lost the right to participate in events in their country of residence shall not, while such a loss of participation is in effect, participate in any Canadian Kennel Club-approved events. Any wins by a dog that is exhibited or handled by such individual shall automatically be cancelled.

22 **LIABILITY** (22-03-16)

- 22.1 The CKC shall not be responsible to any member, person, partnership, club or corporation for any loss, damage or injuries arising at or by reason of any event held under any rules adopted by the CKC.
(22-03-16)
- 22.2 Every owner or authorized agent for the owner of any dog entered in a CKC event is required to take all reasonable steps to ensure that the dog behaves properly at the event, and in particular to prevent the dog from threatening, menacing or biting a judge, another dog or any other person in attendance at the event. Failure to take such reasonable steps may result in disciplinary action against such owner or authorized agent under the By-laws, which may result in the imposition of any of the penalties provided for in the By-laws.
(22-03-16)
-

23 **AMENDMENTS**

- 23.1 These rules are subject to amendment by the Board.
- 23.2 Amendments to these rules may also be proposed by a person, association, club, representative group or body by presenting such proposal to the Board for its consideration. In such circumstances, the Board will forward the proposal to the Conformation Council for its consideration and input, prior to the Board making its final decision.
- 23.3 Any amendment to these rules shall be approved by a simple majority vote of the Board.
- 23.4 The effective date of any approved amendment shall be set by the Board.
- 23.5 The Board, at its sole discretion, may choose to perform a non-binding poll of the membership to attain general input prior to making a final decision on any proposed amendment to these rules.
- 23.6 Upon the Board making its final decision with respect to any amendment to these rules, the membership shall be advised by placing a notice in the official publication as soon thereafter as is reasonably possible.
-

APPENDIX A

Recognized Breeds

The following list represents the breeds that are recognized by the CKC at the time this rule book was printed.

Group 1 – Sporting Dogs

Barbet	Setter (Irish Red and White)
Braque Français (Gascogne)	Spaniel (American Cocker)
Braque Français (Pyrenees)	Spaniel (American Water)
Griffon (Wire-Haired Pointer)	Spaniel (Blue Picardy)
Pointer	Spaniel (Brittany)
Pointer (German Long-Haired)	Spaniel (Clumber)
Pointer (German Short-Haired)	Spaniel (English Cocker)
Pointer (German Wire-Haired)	Spaniel (English Springer)
Pudelpointer	Spaniel (Field)
Retriever (Chesapeake Bay)	Spaniel (French)
Retriever (Curly-Coated)	Spaniel (Irish Water)
Retriever (Flat-Coated)	Spaniel (Sussex)
Retriever (Golden)	Spaniel (Welsh Springer)
Retriever (Labrador)	Spinone Italiano
Retriever (Nova Scotia Duck Tolling)	Vizsla (Smooth)
Setter (English)	Vizsla (Wire-Haired)
Setter (Gordon)	Weimaraner
Setter (Irish)	

Group 2 – Hounds

Afghan Hound	Foxhound (American)
Basenji	Foxhound (English)
Basset Hound	Greyhound
Beagle	Harrier
Bloodhound	Ibizan Hound
Borzoi	Irish Wolfhound
Coonhound (Black & Tan)	Norrbottenspets
Dachshund (Miniature Long-Haired)	Norwegian Elkhound
Dachshund (Miniature Smooth)	Norwegian Lundehund
Dachshund (Miniature Wire-Haired)	Otterhound
Dachshund (Standard Long-Haired)	Petit Basset Griffon Vendeen
Dachshund (Standard Smooth)	Pharaoh Hound
Dachshund (Standard Wire-Haired)	Rhodesian Ridgeback
Deerhound (Scottish)	Saluki
Drever	Whippet
Finnish Spitz	

Group 3 – Working Dogs

Akita	Karelian Bear Dog
Alaskan Malamute	Komondor
Bernese Mountain Dog	Kuvasz

Boxer
Bullmastiff
Canaan Dog
Canadian Eskimo Dog
Doberman Pinscher
Entlebucher Mountain Dog
Eurasier
Great Dane
Great Pyrenees
Greater Swiss Mountain Dog
Greenland Dog
Hovawart

Group 4 – Terriers

Airedale Terrier
American Staffordshire Terrier
Australian Terrier
Bedlington Terrier
Border Terrier
Bull Terrier
Bull Terrier (Miniature)
Cairn Terrier
Cesky Terrier
Dandie Dinmont Terrier
Fox Terrier (Smooth)
Fox Terrier (Wire)
Irish Terrier

Leonberger
Mastiff
Neapolitan Mastiff
Newfoundland
Portuguese Water Dog
Rottweiler
Samoyed
Schnauzer (Giant)
Schnauzer (Standard)
Siberian Husky
St. Bernard

Kerry Blue Terrier
Lakeland Terrier
Manchester Terrier
Norfolk Terrier
Norwich Terrier
Schnauzer (Miniature)
Scottish Terrier
Sealyham Terrier
Skye Terrier
Soft-Coated Wheaten Terrier
Staffordshire Bull Terrier
Welsh Terrier
West Highland White Terrier

Group 5 – Toys

Affenpinscher
American Eskimo Dog (Toy)
Cavalier King Charles Spaniel
Chihuahua (Long Coat)
Chihuahua (Short Coat)
Chinese Crested Dog
English Toy Spaniel
Griffon (Brussels)
Havanese
Italian Greyhound
Japanese Chin
Maltese

Miniature Pinscher
Papillon
Pekingese
Pomeranian
Poodle (Toy)
Pug
Silky Terrier
Toy Fox Terrier
Toy Manchester Terrier
Xoloitzcuintli (Toy)
Yorkshire Terrier

Group 6 – Non-Sporting Dogs

American Eskimo Dog (Miniature)
American Eskimo Dog (Standard)
Bichon Frise
Boston Terrier
Bulldog
Chinese Shar-Pei
Chow Chow
Dalmatian

Lhasa Apso
Lowchen
Poodle (Miniature)
Poodle (Standard)
Schipperke
Shiba Inu
Shih Tzu
Tibetan Spaniel

French Bulldog
German Pinscher
Japanese Spitz
Keeshond

Tibetan Terrier
Xoloitzcuintli (Miniature)
Xoloitzcuintli (Standard)

Group 7 – Herding Dogs

Australian Cattle Dog
Australian Shepherd
Australian Stumpy Tail
Cattle Dog
Bearded Collie
Belgian Shepherd Dog
Berger Picard
Berger des Pyrenees
(Pyrenean Shepherd Dog)
Bouvier des Flandres
Briard
Collie (Rough)

Collie (Smooth)
Dutch Sheepdog
German Shepherd Dog
Iceland Sheepdog
Norwegian Buhund
Old English Sheepdog
Polish Lowland Sheepdog
Puli
Shetland Sheepdog
Swedish Vallhund
Welsh Corgi (Cardigan)
Welsh Corgi (Pembroke)

Listed Breeds

Listed breeds are breeds that are included in the Miscellaneous List that are authorized to participate in CKC events in accordance with the rules and regulations governing those events.

Each of these breeds shall be exhibited in the group indicated after each breed providing that a Miscellaneous Certificate Number is obtained prior to entering the event.

Braque d’Auvergne.....	Group 1
Kleiner Münsterländer	Group 1
Lagotto Romagnolo.....	Group 1
Shikoku	Group 2
Anatolian Shepherd.....	Group 3
Black Russian Terrier.....	Group 3
Cane Corso.....	Group 3
Dogue de Bordeaux	Group 3
Tibetan Mastiff.....	Group 3
Glen of Imaal Terrier.....	Group 4
Parson Russell Terrier.....	Group 4
Rat Terrier	Group 4
Coton de Tulear	Group 5
Australian Kelpie	Group 7
Bauceron.....	Group 7
Border Collie	Group 7
Finnish Lapphund.....	Group 7
Lancashire Heeler	Group 7
Mudi	Group 7
Portuguese Sheepdog	Group 7
Spanish Water Dog	Group 7
Tatra Sheepdog.....	Group 7

APPENDIX B

PREMIUM LISTS

- (a) The following information must appear on the cover or on the first inside page (excluding the inside cover) of a premium list:
- (1) the words “Official Premium List”;
 - (2) the name of the club or organization holding the show;
 - (3) the type of event (all breed or specialty);
 - (4) date(s) of the event(s);
 - (5) date and closing time for entries. (Closing date must not be less than 10 days prior to the date of the show.)
- (b) The following information must appear in a premium list:
- (1) exact location of show(s);
 - (2) the statement “These events held under the rules of The Canadian Kennel Club”;
 - (3) whether the show is indoors or outdoors or both;
 - (4) if the show is outdoors, a statement as to whether or not cover will be provided in case of inclement weather;
 - (5) a list of the club officers (addresses may be given if desired);
 - (6) a list of the event committee with the address and phone number of the Event Secretary and Event Superintendent;
 - (7) the address and phone number of where entries are to be sent (if different from the Event Secretary);
 - (8) a statement as to where entries are to be sent;
 - (9) a listing of the judges and their mailing addresses;
 - (10) a complete list of each judge’s assignment broken down for each day;
 - (11) awards and prizes, if offered (need not be accurately described);
 - (12) if money is to be offered as prizes, the amount for each award must be given;
 - (13) any rules and regulations and prizes for all sweepstakes (if offered);
 - (14) the amount of the entry fee for each class;

-
- (15) if unofficial classes are offered, a description of the classes;
 - (16) a listing of the point schedule from the conformation rules;
 - (17) the name of the Executive Director of The Canadian Kennel Club and the address of the Head Office;
 - (18) the name of the CKC Board Member for that zone;
 - (19) the name of the Conformation Show Representative for that zone;
 - (20) a statement to include the wording of Section 19.7 regarding indignities;
 - (21) show precincts must be clearly defined.
- (c) Clubs are free to include other rules and regulations as they deem necessary. However, if other rules are included, they become part of the premium list and will be enforced.
- (d) Clubs holding shows and trials shall include the following statement in their premium list:

Attention Foreign Exhibitors

Please note that fees are due and payable in Canadian dollars. Due to consistently fluctuating currency rates, discounted cheques will not be accepted.

Personal cheques will be accepted; however, they are to be payable in Canadian funds. If you send a cheque in US funds, it must be made out for the full amount of the entry and no exchange will be refunded to the exhibitor.

Please do not mark cheques "Payable in Canadian Funds" or "At Par". They will not be cleared by the banks.

To simplify the process, we urge that you purchase bank drafts or money orders payable in Canadian funds.

Your understanding and cooperation is appreciated.
Thank You.

- (e) The premium list for a conformation show, with which a sweepstakes is being held, must include complete information covering the sweepstakes, including:
- (1) qualifications for entry;
 - (2) name of approved judge;
 - (3) time of judging;
 - (4) distribution of prize money;
 - (5) complete details of any other prizes being offered.

APPENDIX C

SHOW CATALOGUE

The show catalogue must contain the information as listed below.

The following information must be printed on the front cover of the catalogue:

1. The name of the club holding the show;
2. The exact number and type of show being held;
3. The date(s) of the show(s);
4. The statement “This show (these shows) are held under the rules of The Canadian Kennel Club.”

The information listed below must appear in the catalogue but not necessarily on the front cover. It is preferred that this information be listed on the first page (excluding inside front cover):

1. The exact location of the show;
2. A statement as to whether the show is ‘benched’ or ‘unbenched’;
3. A list of the officers of the club and the address of the club secretary;
4. A list of the show committee including the address of the Show Secretary. Consideration should be given to including the address of the Show Superintendent;
5. A complete list of the judges and their mailing addresses;
6. A listing of each judge’s assignments for each day;
7. A listing of the schedule of championship points.

Please refer to the CKC Policy & Procedures Manual for the format to be followed.

APPENDIX D

END OF SHOW

At the end of a show, the club must forward to the CKC all of the information outlined below so as to be received not more than 21 days after the last day of the show:

1. One marked catalogue for each show, which indicates the awards made in all classes, groups, etc., including absentees, as well as indicating at the beginning of each breed a count of the total dogs, bitches, dog Specials and bitch Specials for that breed as follows:

SETTERS (IRISH) 6-10-4-3

The example indicates that there were six dogs in class competition, 10 bitches in class competition, four dog Specials and three bitch Specials

2. One unmarked catalogue providing it contains full and complete information on all entries;
3. All entry forms;
4. All judges' books;
5. All recording fees as prescribed by the CKC;
6. All listing fees for the entries of non-registered dogs;
7. The signed certification over the signature of any one of the club's executive or other authorized signing officer, which will include the total number of listed, absent and total dogs entered in competition;
8. All Conformation Judge Observation Report forms duly completed and sealed in separate envelopes;
9. Any other information or reports as may be required by the CKC.

APPENDIX F

JUDGING RAMP SPECIFICATIONS

The CKC has established general guidelines for construction of a judging ramp.

Construction: A shorter grooming table with attached access ramp is preferable; however, any stable material may be used.

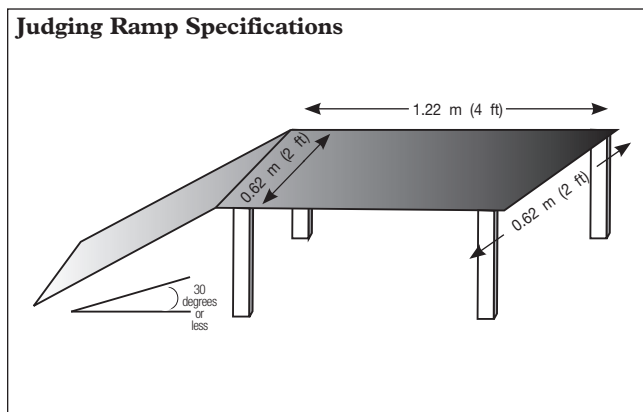
Surface: Appropriately matted with non-slip material

Length: 1.22 m (4 ft)

Width: 0.62 m (2 ft)

Height: Ideal height is 50.8 cm (20 in)
(range 45.7-50.8 cm {18-20 in})

Angle of Ramp: 30 degrees or less



APPENDIX G

LIST OF BREEDS THAT MUST BE JUDGED ON THE TABLE (100-06-17)

Group 1 – Sporting Dogs

Spaniels (American Cocker)

Spaniels (English Cocker)

Group 2 – Hounds

Basenji

Beagle

All Dachshunds

Drever

Petit Basset Griffon Vendéen

Whippet (optional)

Group 3 – Working Dogs

No Working Dogs are examined on the table

Group 4 – Terriers

All Terriers **except** those noted below:

Airedale Terrier

American Staffordshire

Bull Terrier

Bull Terrier (Miniature) (optional)

Irish Terrier (optional)

Kerry Blue Terrier

Soft-Coated Wheaten Terrier

Staffordshire Bull Terrier

Group 5 – Toys

All Toy Breeds

Group 6 – Non-Sporting Dogs

American Eskimo (Miniature & Standard)

Bichon Frise

Boston Terrier

French Bulldog

Japanese Spitz

Lhasa Apso

Lowchen

Poodle (Miniature)

Schipperke

Shiba Inu

Shih Tzu

Tibetan Spaniel

Tibetan Terrier

Xoloitzcuintli (Miniature)

Group 7 – Herding Dogs

Berger des Pyrenees

Puli

Shetland Sheepdog

Swedish Vallhund

Welsh Corgi (Cardigan)

Welsh Corgi (Pembroke)

Mudi

APPENDIX H

LIST OF BREEDS THAT MUST BE JUDGED ON A RAMP (42-03-13)

Basset Hound
Bulldog
Chinese Shar-Pei (87-09-13)
Chow Chow (31-06-17)

APPENDIX I

LIST OF BREEDS THAT MAY BE JUDGED ON A RAMP (42-03-13)

Spaniel (Clumber)
Spaniel (English Springer)
Spaniel (Sussex)
Whippet
Bull Terrier (Miniature)
Irish Terrier
Kerry Blue Terrier
Soft-Coated Wheaten Terrier
Staffordshire Bull Terrier
Keeshond
Polish Lowland Sheepdog

APPENDIX J

ROLE, DUTY & POWERS OF THE SHOW SUPERINTENDENT (06-12-16)

1. By definition, the Show Superintendent is in charge of the show (CSR Sec 5.1.2).
2. He takes direction from the show committee to guarantee the enforcement of all rules and regulations.
3. He must be familiar with all Conformation Show Rules & Regulations (CSR) and be able to answer questions on them from judges and exhibitors.
4. He should be on the site a minimum of one (1) hour prior to the start of judging until 30 minutes after the completion of all judging, in order to accept any protest or complaint lodged under Chapters 17 & 18. If he must leave the show site during the show, a responsible replacement must be appointed.
5. The Show Superintendent should make himself known to all the judges and inform them that he is the person to whom they should address any questions.
6. The Show Superintendent must never attempt to discourage the lodging of any complaint or protest.
7. Specific references from Conformation Show Rules & Regulations (CSR):
 - weighing dogs at request of judge (CSR Sec 4.6.1)
 - is in charge of the show (CSR Sec 5.1.2)
 - enforcement of all rules and regulations. Must have up-to-date rule book on site (CSR Sec 5.1.3)
 - removal of dog that bites or attempts to bite (CSR Sec 5.1.4)
 - removal of any person acting in an objectionable manner (CSR Sec 5.1.6)
 - may not be a judge at the show (CSR Sec 5.1.7)
 - must be a regular member in good standing with CKC (CSR Sec 5.1.8)
 - may not handle dogs at the show (CSR Sec 5.1.9)
 - shall file a report to CKC upon serious injury to, or death of, a dog due to negligence or misconduct (CSR Sec 5.1.10)
 - amend errors on a judging sheet (CSR Sec 6.2.6)

-
- removal of any person engaged in double handling (CSR Sec 9.4)
 - power to direct agent/owner to remove dog from crate of inadequate size (CSR Sec 9.7)
 - submit report to CKC regarding any hearing held regarding unsportsmanlike conduct (CSR Sec 11.5)
 - may excuse dog or exhibitor prior to official time of closing (CSR Sec 14.2.3)
 - endorse a veterinary permit for the removal of a dog due to illness (CSR Sec 14.2.5)
 - receive protest against a dog before closing of show (CSR Sec 17.1)
 - receive complaint against person regarding rules and regulations within 15 minutes of completion of judging (CSR Sec 18.2)



THE CANADIAN KENNEL CLUB

200 Ronson Drive, Suite 400

Etobicoke, Ontario

M9W 5Z9

Telephone (416) 675-5511

Fax (416) 675-6506

E-mail: information@ckc.ca

Web Site: www.ckc.ca